

AZATOM®

Studio Eclipse SE500

2.1 Ch Home Entertainment System

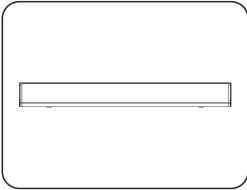


User Manual

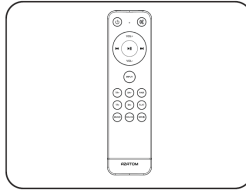
This manual is available to download online at www.azatom.com

What's in the box:

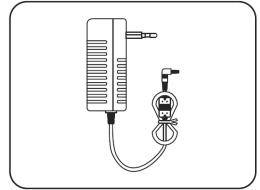
1. Studio Eclipse SE500 Soundbar
2. Remote Control
3. Mains Adapter
4. Optical Cable
5. User Manual
6. Wall Plugs and Screws



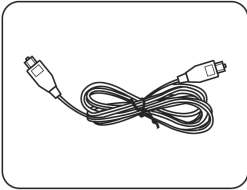
Studio Soundbar



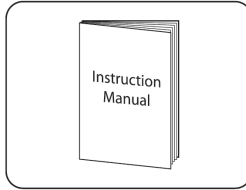
Remote Control



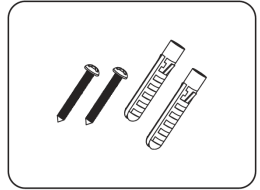
Mains Adapter



Optical Cable

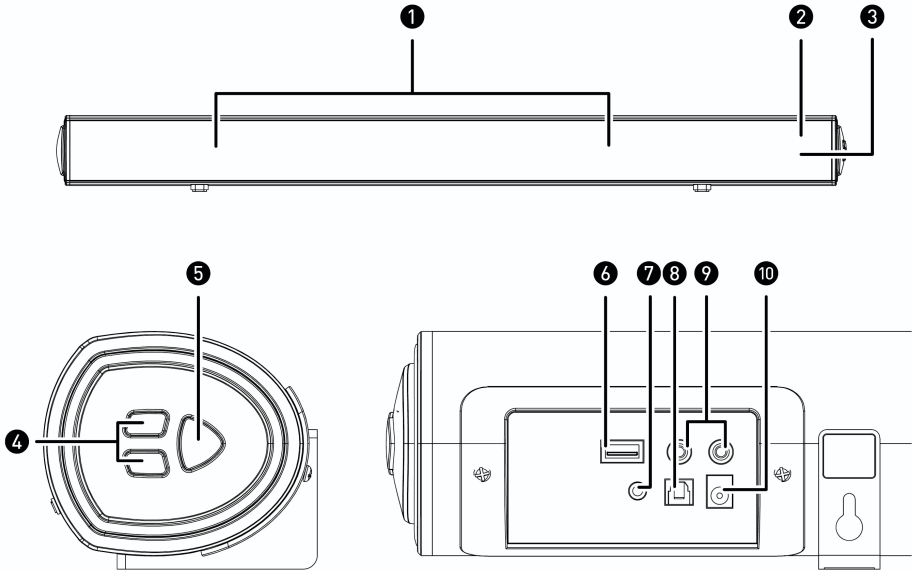


User Manual



Wall Plugs & Screws

Controls & Interface:

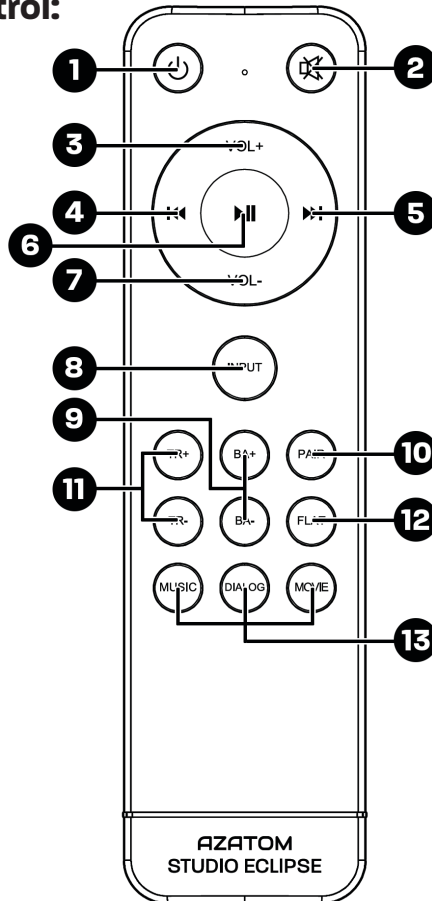


1. Speaker Drivers
2. LED Indicator Light
3. Remote Control Sensor
4. Volume + and -
- Press to adjust volume up or down
5. Power/Input Button
6. USB Port
7. 3.5mm Line-IN Socket
8. Optical-IN Socket
9. Aux (RCA L/R) Socket
10. DC (20V 1.2A) Socket

Indicator Lights:

State	LED Colour
Power off	RED
Optical Mode	YELLOW
Line-IN Mode	GREEN
Aux-IN Mode	WHITE
Bluetooth Ready	FLASHING BLUE
Bluetooth Connected	SOLID BLUE

Remote Control:



Remote Control Buttons:

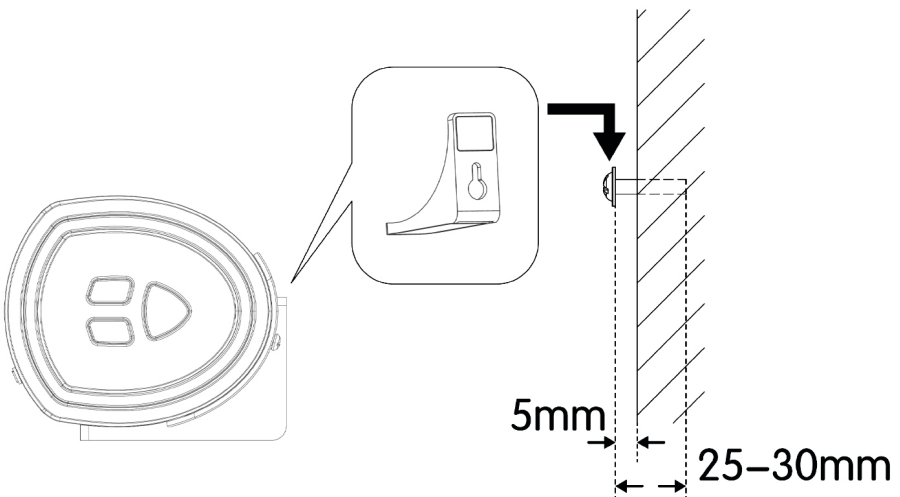
1. Power Button
2. Mute Button
3. Volume +
4. Rewind / Skip Backwards Button (Bluetooth Mode)
5. Fast-Forward / Skip Forward Button (Bluetooth Mode)
6. Play / Pause Button
7. Volume -
8. Input (Audio INPUT)
9. Bass + / Bass -
10. Bluetooth Pair Button (/ Disconnect Device)
11. Treble + / Treble -
12. Flat Equaliser (Default Sound Mode)
13. Equaliser Modes - Choose a sound mode
(Music/Dialog (Voice)/Movie)

Wall Mounting:

Please make sure the wall you are mounting your soundbar on can support its weight. If you are mounting the Soundbar on plaster walls we advise finding the wooden supports behind the plasterboard to mount the soundbar safely.

- Additional tools (not included) are required for the installation.

1. Drill 2 parallel holes ($\text{Ø}3\text{-}8\text{mm}$ each according to wall type) in the wall. The distance between 2 holes should be 580mm.
2. Firmly press a wall plug (included) into each hole in the wall.
3. Insert a screw (included) into each hole. Make sure to leave a 5mm gap between the wall and the screw's head. Lift the Bar over the heads of the screws and slot into place.



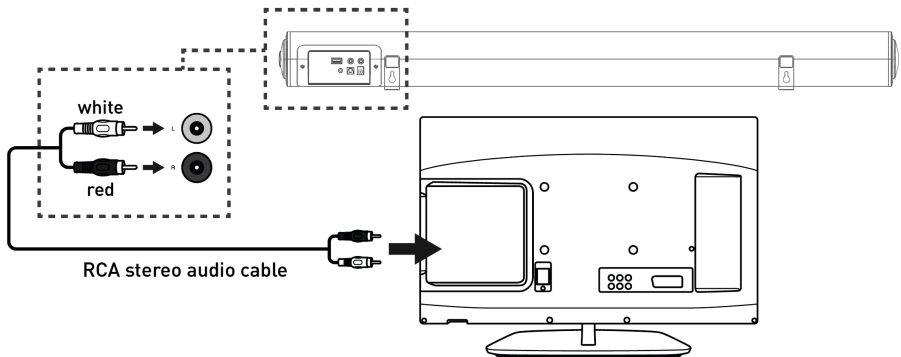
Connections:

Using the AUX (RCA) Connection:

Use the RCA Stereo Audio Cable to connect the TV's stereo RCA(L/R). Audio output socket to the AUX(L/R) Sockets of the unit.

Then press the AUX button on the remote control or press the INPUT button on the unit to choose the AUX function.

Turn on your television set to use the Studio Eclipse SE500.



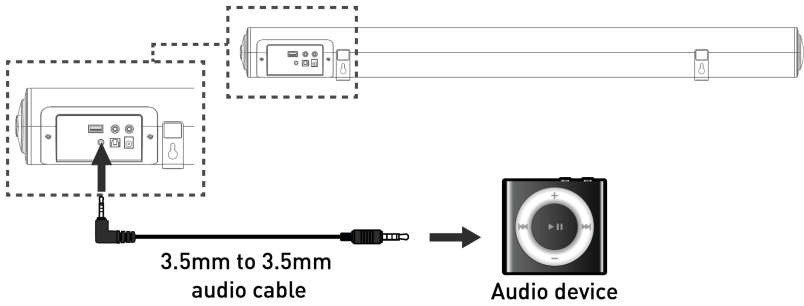
Using the Line-IN Connection:

Plug one end of a 3.5mm audio input cable (included) into the Line in on the unit. Before use, disconnect any cables connected to the Stereo RCA Inputs. Plug the other end of the cable into the audio output/headphone output on an MP3 player or other audio INPUT.

-Press the POWER button on side panel or POWER button directly on the remote control to switch on the unit.

-Press the POWER/INPUT button repeatedly or directly press INPUT in button on remote control to enter LINE in mode. The mode indicator will turn green.

-Audio played through the connected device will now be heard through the speakers.

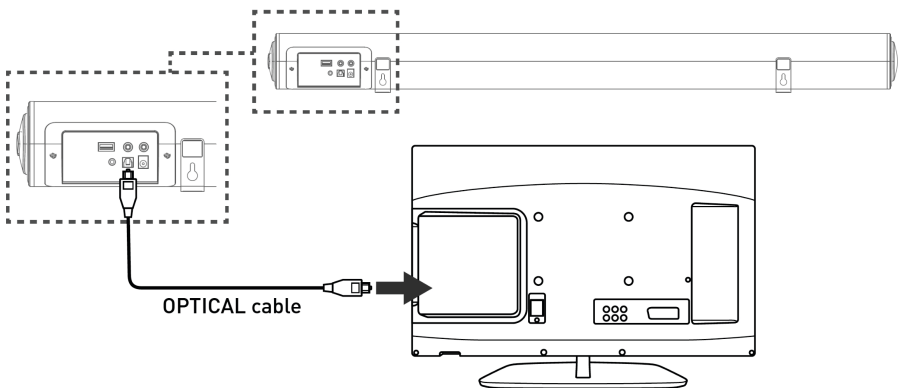


Using the Optical Connection:

You will need: An audio INPUT device with an optical audio output and a digital optical audio cable.

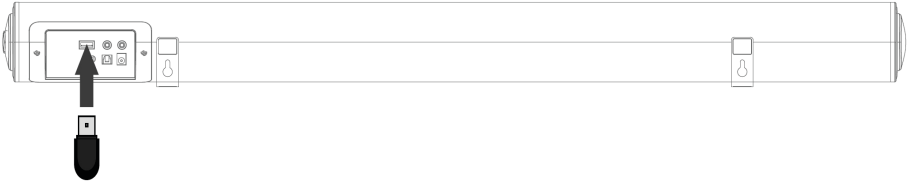
Connect the Digital Optical Audio cable to the optical output on the audio INPUT and to the Optical Input on the speaker bar. Press the POWER/INPUT button on side panel or POWER button directly on the remote control to switch on the unit. Press the INPUT button on the remote control to switch to Optical mode or use the POWER/INPUT button on main unit repeatedly to select the Optical mode. The mode indicator LED will turn Yellow.

Using the controls on your connected device (Tv), make sure the audio settings are set to PCM or Optical Audio and are turned on. Audio from the connected audio INPUT will now be played through the speakers. Using the native controls on your connected device, make sure the audio settings are set to PCM or optical audio and are turned on.



Using the USB Connection:

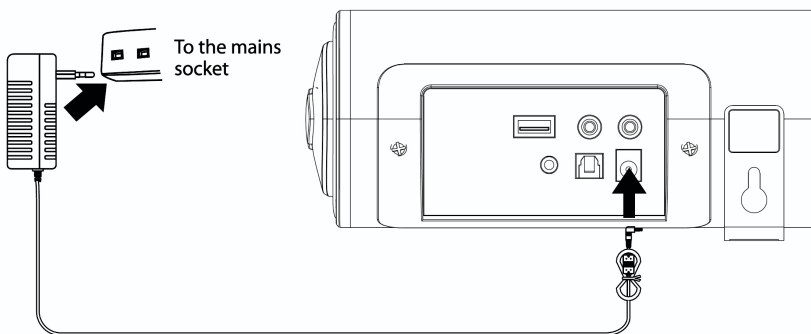
Connect your USB device to the USB jack on the soundbar. Press the INPUT button on the remote, and the LED indicator will be LIGHT BLUE. Play music files from the USB device through the Soundbar.



Connecting to the Mains Power Adapter:

Ensure that the power supply voltage is in the voltage of 100V~240V. This unit is designed to use adapter. Connecting the unit to any other power INPUT may cause damage to the unit. Unwind the mains cable to its full length. Connect the mains plug to a mains socket. Make sure the mains plug is fully inserted into the mains socket. The mains plug/appliance coupler is used as the disconnect device, the disconnect device must remain readily operable.

Connect the Adapter to the unit and AC Socket.



ENSURE ALL AUDIO CONNECTIONS OF THE UNIT ARE CONNECTED BEFORE CONNECTING THE MAIN POWER SOCKET. Unplug the power cord from the outlet when the unit is not being used for an extended period of time.

Bluetooth Operation:

Pairing a Bluetooth Device for the First Time:

Press the POWER button on the unit or the INPUT button on the remote control to switch on the unit.

Select and press the PAIR button directly on the remote control or press the INPUT button repeatedly to enter Bluetooth mode, indicated by a flashing blue light.

Using the native controls on your Bluetooth device, selects the “STUDIO ECLIPSE SE500” in your Bluetooth settings to pair. If your device requests a password, enters the default “0000”.

Refer to the “user manual” of your specific device for instructions on pairing and connecting Bluetooth devices.

When successfully paired and connected, a beep will issue from the unit and the Pairing Indicator will display a solid blue light. After initial pairing, the unit will stay paired unless unpaired manually by the user, or until it is erased due to a reset of the device. Soundbar has Bluetooth connected to a device, you can press and hold the PAIR button 3 seconds to exit this device in order to pair the device with another Bluetooth device. If your device should become unpaired or you find it is unable to connect, repeat the above steps.

Playing Audio Wirelessly:

Follow the instructions for pairing a device with the Soundbar. Use the controls on the connected device to select and play a track. To play, pause or skip a track, use the controls on the connected audio playing device.

Specifications:

Amplifier:

Power Output: Max power output 180W

Frequency Response: 20Hz - 20KHz \pm 3dB

Input Sensitivity: 700mV

Main Unit:

Power Supply:

Input: 100 - 240V ~ 50-60Hz

Output: 20V 1.2A

Standby Power Consumption: \leq 0.5W

Full Range Speaker Drivers:

Impedance: 4ohm (3 inches)

Frequency Response: 180Hz ~ 20KHz

Dimensions: 912 x 101 x 87mm

Mains Cable Length: 1.5 Metre

For Technical support please see the product page for the Studio Eclipse SE500 on www.azatom.com or email us directly at: customersupport@azatom.com



@AZATOM

**REGISTER YOUR PRODUCT ONLINE. TO LEARN MORE
& REGISTER FOR OUR AZATOM WARRANTY* PLEASE
VISIT: WWW.AZATOM.COM/WARRANTY**

AZATOM® 2021 ALL RIGHTS RESERVED. AZATOM® IS PART OF AZATOM GROUP LIMITED.
SEE SITE FOR SAFETY INFORMATION. AZATOM® RESERVE THE RIGHT TO WITHDRAW ANY AND ALL
PROMOTIONS WITHOUT NOTICE. FOR FULL WARRANTY, EXTENDED WARRANTY AND PROMOTIONAL
OFFER TERMS & CONDITIONS PLEASE VISIT WWW.AZATOM.COM/TERMS-CONDITIONS

*REGISTRATION REQUIRED