

# AZATOM<sup>®</sup> StealthBar

Airplay | Spotify Connect | Optical | Wi-Fi | Bluetooth | ARC | RCA  
Sound-bar & Home Entertainment System



## User Manual



*This manual is available to download online at [www.azatom.com](http://www.azatom.com)*

**AZATOM<sup>®</sup>**  
*ADVANCING AUDIO TECHNOLOGY*



Thank you for shopping with **AZATOM®** Please read this manual carefully before using your new device and keep it safe for future reference.

The **StealthBar AZHD1B** is our premium home entertainment solution packed full of the latest wireless, connected technology.

Bluetooth™ allows you to stream your content wirelessly from any Bluetooth-enabled device including phones, tablets and laptops.

Spotify Connect allows you to stream your content wirelessly from your Spotify Premium account.

Airplay allows you to stream your content wirelessly from any Airplay-enabled device including iPhones, iPods and iPads.

A custom amplifier combined with High Fidelity Drivers ensure that whether you are streaming, playing music, a podcast or watching a movie, the **StealthBar AZHD1B** delivers superb quality with room filling sound.

# Contents

|  |    |
|--|----|
| <b>Important Safety Instructions</b>                       |    |
| Safety.....  | 4  |
| <b>Identifying the parts</b>                               |    |
| Main Unit.....   | 6  |
| Remote Control.....  | 8  |
| <b>Using the remote control</b>                            |    |
| Preparing the Remote Control.....                          | 9  |
| Replacing the Remote Control Battery.....                  | 9  |
| <b>Placement and mounting</b>                              |    |
| Placement.....   | 10 |
| Wall mounting (optional).....                              | 10 |
| <b>Connections</b>   |    |
| Connect to OPTICAL.....                                    | 11 |
| Connect to AUX.....  | 11 |
| Connect to HDMI.....                                       | 12 |
| Connect to Power.....                                      | 12 |
| <b>General operation</b>                                   |    |
| Standby / ON.....  | 13 |
| Selecting modes & sources.....                             | 13 |
| Adjusting the volume.....                                  | 13 |
| Setting the Bass level.....                                | 13 |
| <b>Bluetooth operation</b>                                 |    |
| Pair Bluetooth-enabled Devices.....                        | 14 |
| Listen to Music from Bluetooth Device.....                 | 14 |
| <b>AUX/OPTICAL/HDMI Operation</b>                          | 15 |
| <b>AirPlay and Wi-Fi setup and operation</b>               |    |
| AirPlay and Wi-Fi setup.....                               | 15 |
| Clear all Wi-Fi settings.....                              | 17 |
| Listen to music from Wi-Fi device.....                     | 20 |
| <b>Technical Specifications &amp; Standard Accessories</b> | 21 |
| <b>Troubleshooting Guide</b>                               | 22 |



# IMPORTANT SAFETY INFORMATION

1. Read these instructions.
2. Keep these instructions. Instructions are also available for download at [www.azatom.com](http://www.azatom.com)
3. Heed all Warnings.
4. Follow all instructions.
5. Do not clean the apparatus near or with water.
6. Clean only with a dry cloth.
7. Do not block any ventilation openings. Install in accordance with the manufacturer's instructions.
8. Do not install near any heat sources such as radiators, heat registers, stoves, or other apparatus (including amplifiers) that produce heat.
9. Protect the power cord from being walked on or pinched particularly at plugs, convenience receptacles, and the point where they exit from the apparatus.
10. Only use attachments/accessories specified by the manufacturer.
11. Unplug this apparatus during light storms or when unused for long periods of time.
12. Refer all servicing to qualified service personnel.  
  
*Service is required when the apparatus has been damaged in any way, such as power-supply cord or plug is damaged, liquid has been spilled or objects have fallen into the apparatus, the apparatus has been exposed to rain or moisture, does not operate normally or has been dropped.*
13. No naked flame sources, such as lit candles, should be placed on the apparatus.
14. Dispose of used electrical products and batteries safely according to your local authority and regulations.

## ADDITIONAL WARNINGS

The apparatus shall not be exposed to dripping or splashing and no objects filled with liquid, such as vases, shall be placed on apparatus.

Main plug is used to disconnect device and it should remain readily operable during intended use. In order to disconnect the apparatus from the main mains completely, the mains plug should be disconnected from the main socket outlet completely.

Battery shall not be exposed to excessive heat such as sunshine, fire or the like.

## RECYCLING ELECTRICAL PRODUCTS

You should now recycle your waste electrical goods and in doing so help the environment.



This symbol means an electrical product should not be disposed of with normal household waste. Please ensure it is taken to a suitable facility for disposal when finished with.



**IMPORTANT:** Please read all instructions carefully before use and keep for future reference



- Risk of electric shock. Do not open



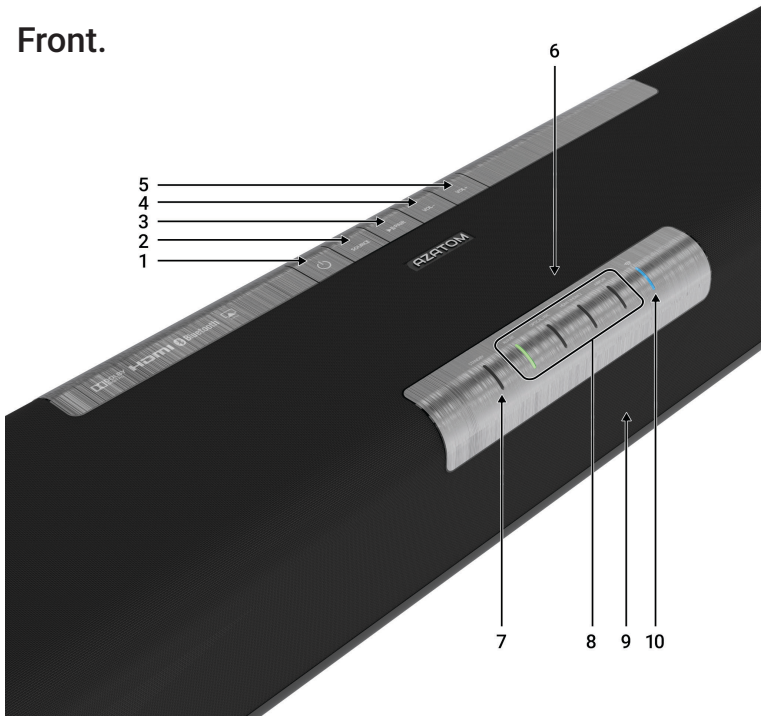
- Read all instructions carefully before use and keep for future reference.



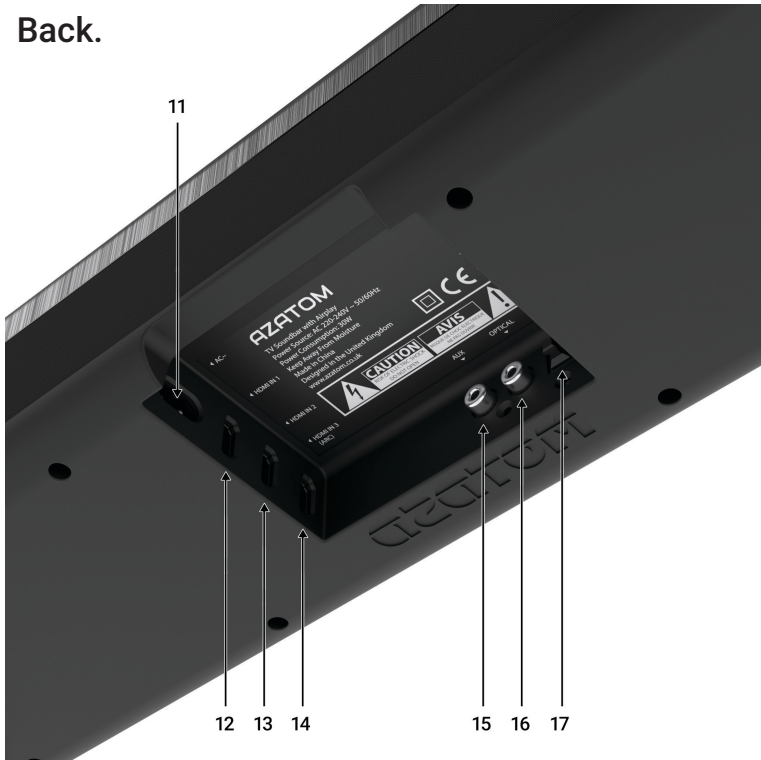
- When servicing, use only identical replacement parts.



Front.



Back.

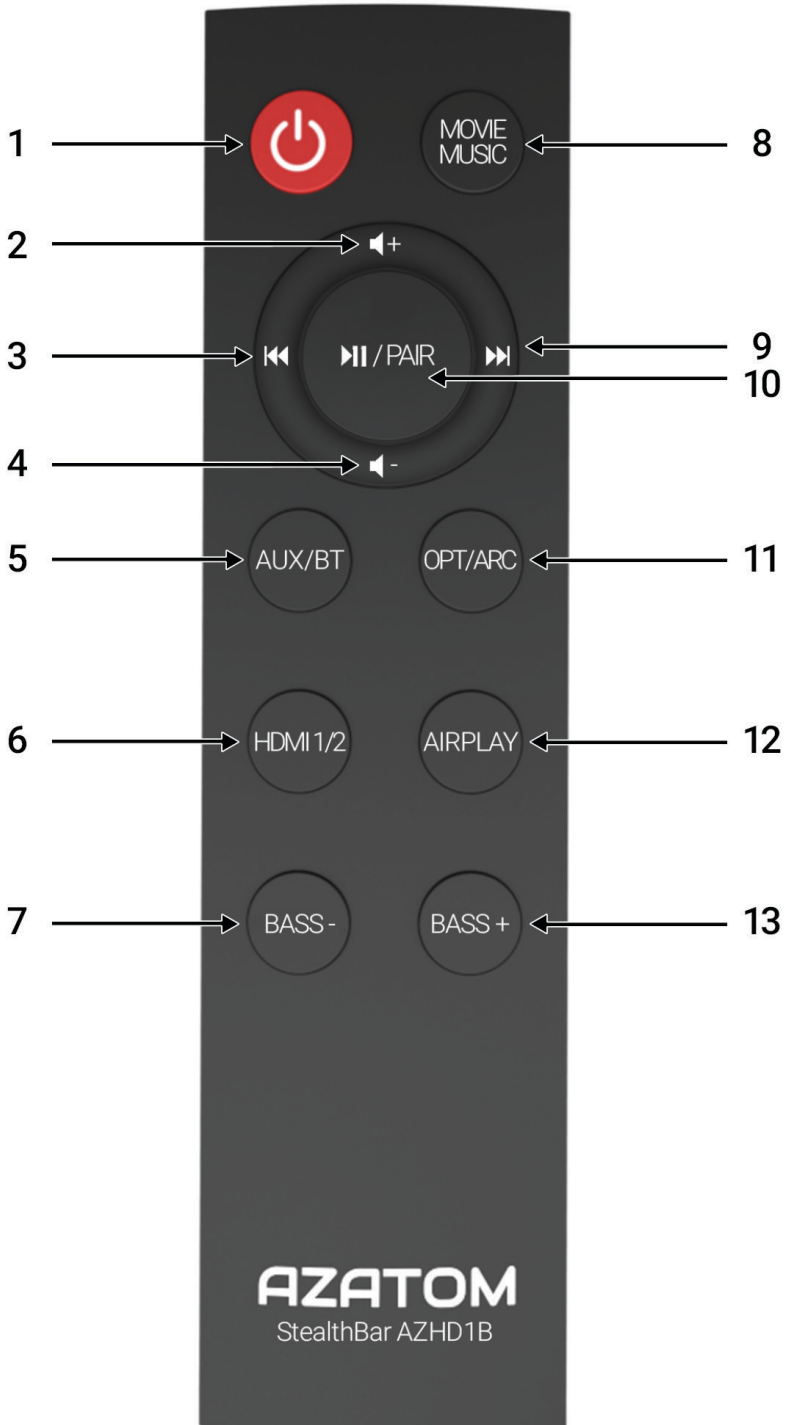


# Identifying the parts

## Main Unit



- 1** - Switch the unit between ON and STANDBY mode.
- 2 SOURCE button**
  - Select the play function.
- 3 ▶/ PAIR**
  - Play/pause/resume playback in Bluetooth mode.
  - Activate the pairing function in Bluetooth mode or disconnect the existing paired Bluetooth device.
  - Reset Wi-Fi network settings in AIRPLAY mode.
- 4 VOL-**
  - Reduce the volume
- 5 VOL+**
  - Increase the volume
- 6 Remote Control Sensor**
- 7 Standby Indicator**
- 8 Status Indicators**
  - Displays what mode the StealthBar is in
- 9 Remote Control Sensor**
- 10 Wi-Fi network status Indicator**
- 11 AC~ Socket**
  - Connect to power cord
- 12 HDMI 1 Port**
- 13 HDMI 2 Port**
- 14 HDMI 3 Port (ARC)**
- 15 AUX OUT**
  - Connect to an external audio device (L Channel)
- 16 AUX OUT**
  - Connect to an external audio device (R Channel)
- 17 OPTICAL OUT**
  - Connect to power cord



# Identifying the parts

## Remote Control



- Switch the unit between ON and STANDBY mode.

### 2 VOL+

- Increase the volume

### 3 Skip Backwards

### 4 VOL-

- Reduce the volume

### 5 AUX/BT

- Swap modes to AUX or Bluetooth

### 6 HDMI 1/2

- Choose between HDMI 1 & 2

### 7 BASS -

- Reduce the Bass volume

### 8 MOVIE / MUSIC

- Swap between audio sound signatures, one optimised for movies and one optimised for music

### 9 Skip Forwards

### 10 PAUSE / PAIR

- Play/pause/resume playback in Bluetooth mode.
- Activate the pairing function in Bluetooth mode or disconnect the existing paired Bluetooth device.
- Reset Wi-Fi network settings in AIRPLAY mode.

### 11 OPT/ARC

- Choose between Optical & ARC as the source

### 12 AIRPLAY

- Set the StealthBar to Airplay mode

### 13 BASS+

- Increase the Bass volume

# Using the remote control

The provided Remote Control allows the unit to be operated from a distance.

- Even if the Remote Control is operated within the effective range (6m), remote control operation may be impossible if there are any obstacles between the unit and the remote control.
- If the Remote Control is operated near other products which generate infrared rays, or if other remote control devices using infra-red rays are used near the unit, it may operate incorrectly. Conversely, the other products may operate incorrectly.

## First-time use:

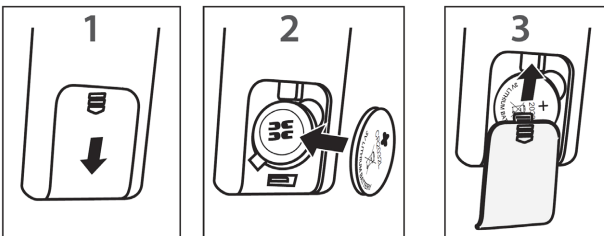
The unit has a pre-installed lithium CR2032 battery. *Remove the protective tab to activate the remote control battery.*

## Replace the Remote Control Battery:

The unit has a pre-installed lithium CR2032 battery. *Remove the protective tab to activate the remote control battery.*

The remote control requires a CR2032, 3V Lithium battery.

1. Remove the battery compartment cover and the old battery.
2. Replace with a new battery.
3. Insert the battery holder back into the remote control.



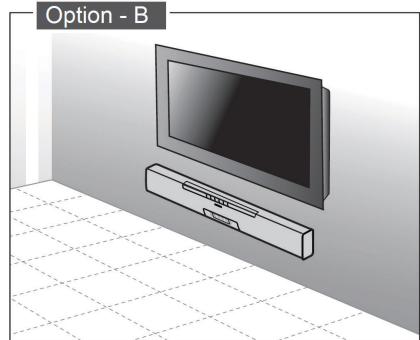
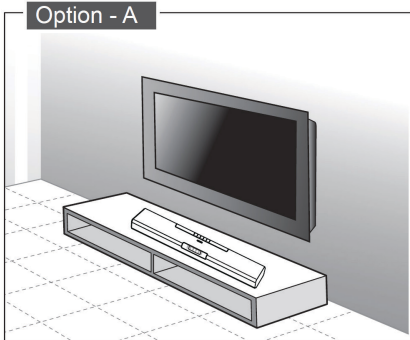
## Precautions Concerning Batteries:

1. When the Remote Control is not to be used for a long time (more than a month), remove the battery from the Remote Control to prevent it from leaking.
2. If the batteries leak, wipe away the leakage inside the battery compartment and replace the batteries with new ones.
3. Do not use any batteries other than those specified.
4. Do not heat or disassemble batteries. Never throw them in fire or water.
5. Do not carry or store batteries with other metallic objects. Doing so could cause batteries to short circuit, leak or explode.
6. Never recharge a battery unless it is confirmed to be a rechargeable type.

# Placement and Mounting

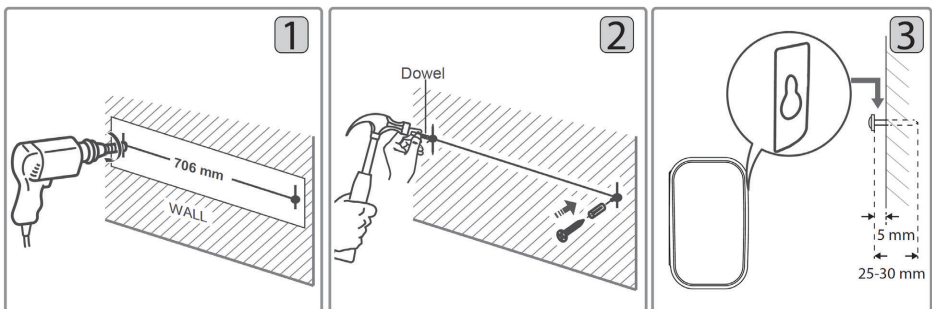
## Placement:

- A: If your TV is placed on a table, you can place the unit on the table directly in front of the TV stand, centred with the TV screen.
- B: If your TV is attached to a wall, you can mount the unit on the wall directly below the TV screen.



## Wall mounting (if using option-B):

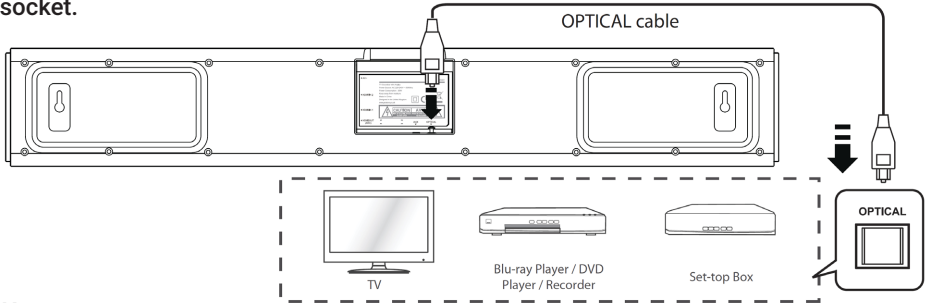
- Installation must be carried out by qualified personnel only. Incorrect assembly can result in severe personal injury and property damage (if you intend to install this product yourself, you must check for installations such as electrical wiring and plumbing that may be buried inside the wall). It is the installer's responsibility to verify that the wall will safely support the total load of the Sound-bar and wall brackets
- Additional tools (not included) are required for the installation
- Do not over-tighten screws
- Keep this instruction manual for future reference
- Use an electronic stud finder to check the wall type before drilling and mounting
- Drill 2 parallel holes ( $\varnothing$  3-8 mm each according to wall type) in the wall.  
The distance between the holes should be 706 mm
- Firmly fix 1 dowel into each hole in the wall if necessary
- Insert 1 screw into each hole or dowel. Leave a 5 mm gap between the wall and the screw's head
- Lift the unit with the attached wall brackets over the heads of the screws and slot into place
- Additional tools (not included) are required for the installation.



# Connections

## Connect to OPTICAL:

Remove the protective cap of the OPTICAL socket, use an optical cable (not included) to connect the sound-bar's OPTICAL socket to the external devices OPTICAL OUT socket.

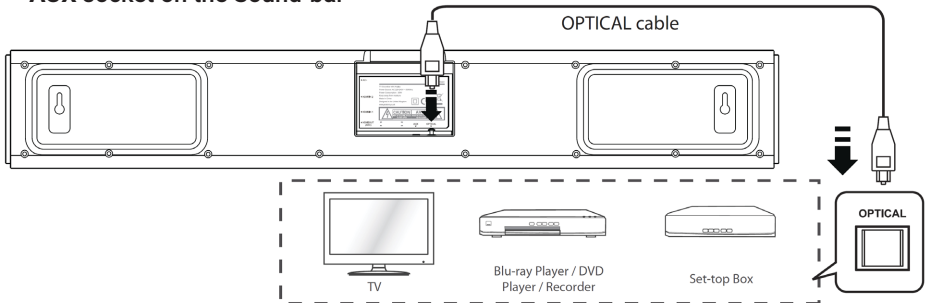


### Note:

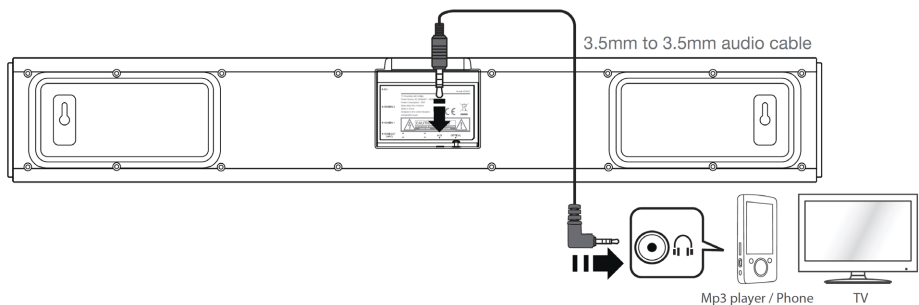
*If there is no sound output and the OPTICAL indicator flashes, ensure the audio setting of the input source (e.g. TV, game console, DVD player, etc.) is set to PCM mode with optical input.*

## Connect to AUX:

A. Use a RCA to 3.5mm audio cable (included) to connect an external device to the AUX socket on the Sound-bar



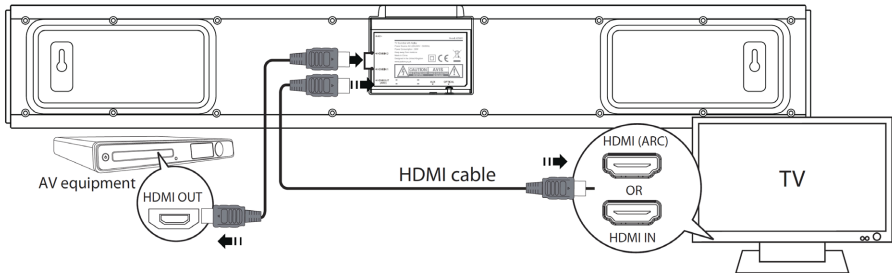
B. Use a 3.5mm to 3.5mm audio cable (not included) to connect an external audio device to the AUX socket on the Sound-bar





## Connect to HDMI:

Using HDMI to connect the sound-bar, AV equipment and TV:



### Method 1: ARC (Audio Return Channel):

- With the ARC (Audio Return Channel) function, it allows you to send audio from your ARC-compliant TV to ARC-compliant audio devices (e.g. sound plate) with out the need to connect an optical cable.
- To enjoy the ARC function, make sure your sound plate's HDMI OUT socket is connected by an HDMI 1.4 cable to the HDMI OUT TV (ARC) socket of your ARC-compliant TV. Then, just use your TV remote control to adjust the volume output (VOL +/- and MUTE) of the connected audio device.

#### Tips:

- Your TV must support the HDMI-CEC and ARC function. HDMI-CEC and ARC must be set to On.
- The setting method of HDMI-CEC and ARC may differ depending on the TV. For details about ARC function, please refer to the owner's manual.
- Only HDMI 1.4 cables can support the ARC function.

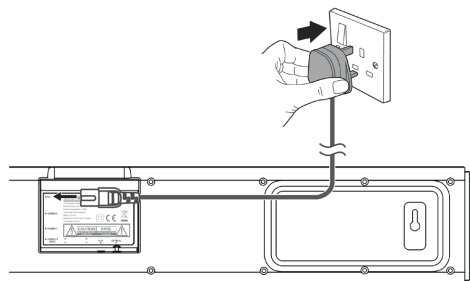
### Method 2: Standard HDMI:

If your TV is not HDMI ARC-compliant, connect your sound plate to the TV through a standard HDMI connection.

1. Use an HDMI cable (not included) to connect the sound plate's HDMI OUT socket to the TV's HDMI IN socket.
2. Use an HDMI cable (not included) to connect the sound plate's HDMI IN (1 or 2) socket to your external devices (e.g. games consoles, DVD players and blu ray).

## Connect to Power:



- Before connecting the AC power cord, ensure you have completed all other connections.
- Risk of product damage! Ensure that the power supply voltage corresponds to the voltage printed on the back or the underside of the unit.
- Connect the mains cable to the AC~ Socket of the main unit and then into a mains socket.



# General Operation

## Standby/ON:

When you first connect the Stealth to the mains AC~ Socket, it will be in Standby.

- Press the  button on the Sound-bar or on the remote control to switch the Sound-bar on. The status indicator of the last used mode will light up.
- Press the  button on the Sound-bar or on the remote control to switch the Sound-bar back to Standby mode. The STANDBY Indicator will light up red.
- Disconnect the mains plug from the mains socket if you want to switch the unit off completely.

### NOTE:







- *If the unit is idle for over 15 minutes, the unit will automatically switch to Standby mode.*
- *If no button is pressed for one minute, the indicator will light off.*

## Selecting Modes:

When you first connect the Stealth to the mains AC~ Socket, it will be in Standby.

- Press the SOURCE button on the main unit or the AUX/BT, OPT/ARC, HDMI 1/2, AIRPLAY buttons on the remote control to select the desired mode
  - When AUX mode is selected, the AUX/BT Indicator will light up Green
  - When BT (Bluetooth) mode is selected, the AUX/BT Indicator will light up Blue
  - When OPT mode is selected, the OPT/ARC Indicator will light up Green
  - When ARC mode is selected, the OPT/ARC Indicator will light up Blue
  - When HDMI 1 mode is selected, the HDMI 1 / HDMI 2 Indicator will light up Green
  - When HDMI 2 mode is selected, the HDMI 1 / HDMI 2 Indicator will light up Blue
  - When AIRPLAY mode is selected, the AIRPLAY Indicator will light up Blue

## Adjusting the Volume:

- Press the  + /  - (VOL +/-) buttons to adjust the volume. The status indicators flash quickly.
- If you wish to turn the sound off, press the (MUTE) button on the remote control. Press this button again or press  + /  - (VOL +/-) to resume normal listening.
- While the volume level reaches its maximum level, if you press the  + (VOL +) button again, the status indicator and the Wi-Fi indicator flash once. While the volume level reaches its minimum level, if you press the  - (VOL -) button again, the AUX/BT Indicator flashes once.

## Setting the Bass level:

- Press the BASS+ or BASS- buttons on the remote control to adjust the bass.

# Bluetooth Operation

## Pair Bluetooth-enabled Devices:

The first time you connect your Bluetooth device to this player, you need to pair your device to this player.

### Note:

- The operational range between this player and a Bluetooth device is approximately 8 metres (without any object between the Bluetooth device and the unit).
- Before you connect a Bluetooth device to this unit, ensure you know the device's capabilities.
- Compatibility with all Bluetooth devices is not guaranteed.
- Any obstacle between this unit and a Bluetooth device can reduce the operational range.
- If the signal strength is weak, your Bluetooth receiver may disconnect, but it will re-enter pairing mode automatically.

- 1 Press the **SOURCE** button on the main unit or the **AUX/BT** button on the remote control repeatedly to select **BT** (Bluetooth) mode, the **Bluetooth Indicator** flashes slowly. The unit is now in pairing mode.
- 2 Or press and hold the **▶/PAIR** button on the remote control. You will hear "Pairing" from the unit. The **Bluetooth Indicator** flashes rapidly.
- 3 Activate your Bluetooth device and select the search mode. "AZSB01" will appear on your Bluetooth device list.
- 4 Select "AZSB01" in the pairing list. After the "Paired" voice prompt, the unit is successfully connected and the **Bluetooth Indicator** lights up steadily.
- 5 Play music from the connected device.

- To disconnect the Bluetooth function, switch to another function on the unit or disable the function from your Bluetooth device. Or press and hold the **▶/PAIR** button on the remote control, the Bluetooth device will be disconnected from the sound bar after the "Disconnected" voice prompt.

### Tips:

- Enter 0000 for the password if necessary.
- If there is an existing connection, press and hold the **▶/PAIR** button on the remote control to re-activate the pairing mode, the connection will be interrupted.
- If no other Bluetooth device pairs with this player within two minutes, the player will recover its previous connection.
- The player will also be disconnected when your device is moved beyond the operational range.
- If you want to reconnect your device to this player, place it within the operational range.
- If the device is moved beyond the operational range, when it is brought back, please check if the device is still connected to the player.
- If the connection is lost, follow the instructions above to pair your device to the player again.

## Listen to Music from Bluetooth Device:

- If the connected Bluetooth device supports Advanced Audio Distribution Profile (A2DP), you can listen to the music stored on the device through the player.
- If the device also supports Audio Video Remote Control Profile (AVRCP), you can use the player's remote control to play music stored on the device.

1. Pair your device with the player.
2. Play music via your device (if it supports A2DP).
3. Use supplied remote control to control play (if it supports AVRCP).
  - To pause/resume play, press the **▶/PAIR** button.
  - To skip to a track, press the **◀◀**, **▶▶** buttons.

# AUX/OPTICAL/HDMI Operation

- 1 Ensure that the unit is connected to the TV or audio device.
- 2 Press the **SOURCE** button on the main unit or the **AUX/BT, OPT/ARC, HDMI 1/2** button on the remote control repeatedly to select the desired mode.
- 3 Operate your audio device directly for playback features.
- 4 Press the **◀ + / ▶ - (VOL +/-)** buttons to adjust the volume to your desired level.

## AirPlay and Wi-Fi setup and operation

### Selecting Modes:

#### Note:

- *When using the Sound-bar for the first time, please follow the steps below for your Airplay and Wi-Fi connection. This connection process only needs to be done once. After the setup is completed successfully simply turn on the Sound-bar and it will find and connect to the Wi-Fi automatically.*
- *Once you set up the Sound-bar's system on your home Wi-Fi network, you can control the system from any compatible smartphone/tablets/computers on the same network.*
- *If you restore of the Wi-Fi settings to their default values, please re-connect the player to your home Wi-Fi network.*

#### > Option A: (Recommended) This is the easiest and quickest way to set up AirPlay

- Connecting the network with your IOS or Mac OS X device via WAC.  
WAC (Wireless Accessory Configuration): Apple's Wireless Accessory Configuration feature is designed to allow consumers to simply set up their wireless accessories with the network credentials already stored on their iOS or OSX device.

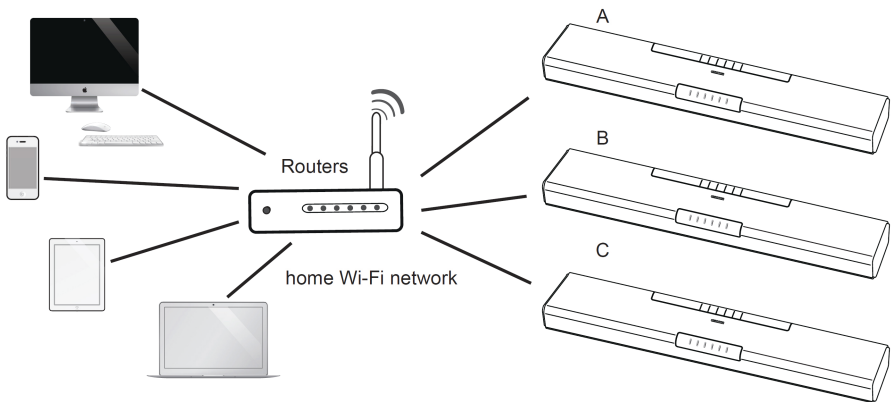
### User requirements for using Wireless Accessory Configuration

#### Hardware

- Wireless Accessory Configuration requires a device running iOS version **7.0** or greater or OS X **10.9** with AirPort Utility **6.3.1** or greater to act as the configuring device. ( If the version is too low, please Upgrade your Apple device or use **Option B** to setup network)
- A Wireless Accessory Configuration enabled accessory with Wi-Fi.

#### Network

- Wireless Accessory Configuration requires a wireless TCP/IP network connection between the configuring device and accessory. The Wireless Accessory Configuration enabled accessory must be able to act as both a software Access Point (AP) and as a station (STA) device.
- Target wireless networks require: an access point compatible with 802.11b/g, 802.11n, or 802.11ac.



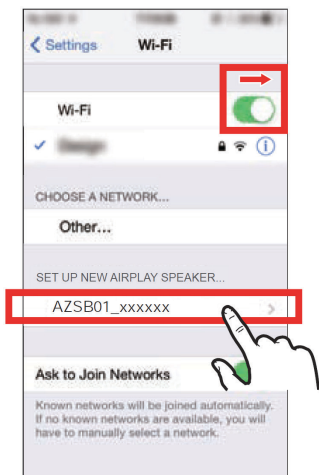
- Ensure the wireless router is available.

1 When the Sound-bar is ON, press the **SOURCE** button on the Sound-bar repeatedly or the **AIRPLAY** button on the remote control to select the **AIRPLAY** mode. The Wi-Fi indicator flashes very fast.

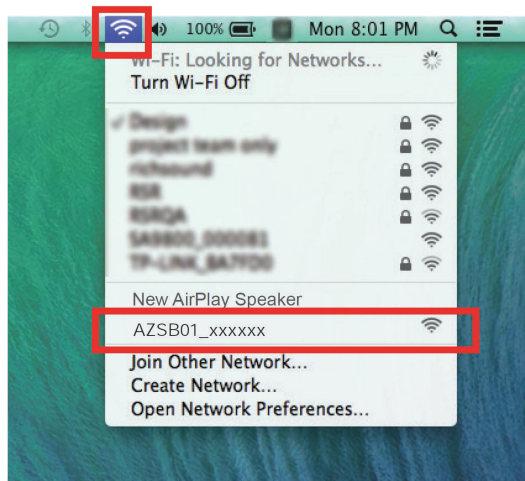
2 Sound-bar enters into the **WAC** mode. Then the Wi-Fi indicator flashes rapidly.

- Or Press and hold **AIRPLAY** button on the remote control for a few seconds to switch the Sound-bar to the **WAC** mode until the Wi-Fi indicator flashes rapidly.

3 Use your Apple devices to search for Wi-Fi network (also known as WLAN).



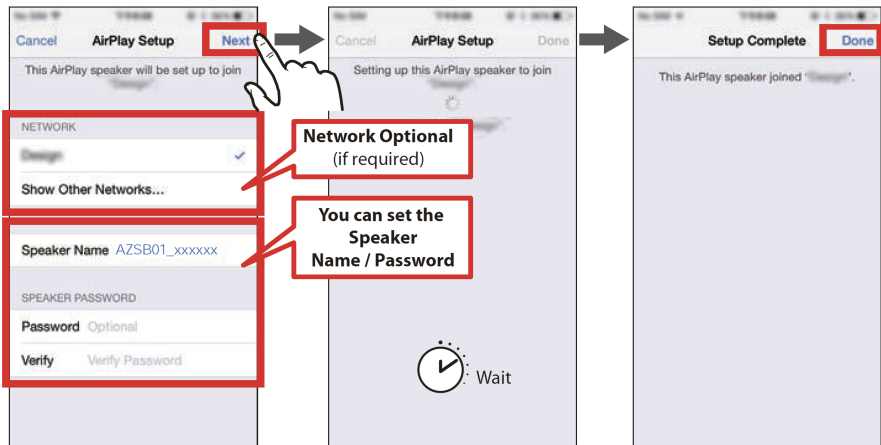
iOS 7.0



OSX 10.9

- "AZSB01\_xxxxxx" (xxxxxx: MAC address) will appear on your available Wi-Fi network list of new airplay speaker

3 Select "AZSB01\_xxxxxx" and follow the on-screen instructions to connect to your Home Wi-Fi network



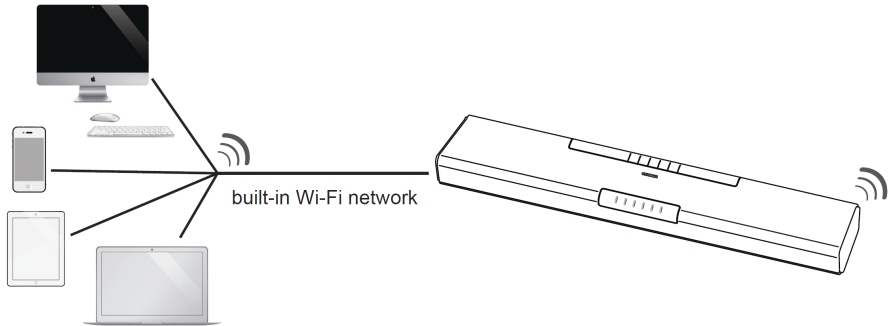
5 Your Sound-bar is now connected to your home Wi-Fi network

- For how to stream music from your smartphone to this player and playback (See Listen to music from Wi-Fi device)
- If the connection fails, please check that your home Wi-Fi network is available and repeat steps 1 to 4 to reconnect your home Wi-Fi network or go to Option B to connect the Wi-Fi network

## > Option B:

### • AP mode configuration

- Use your smartphone/tablets/computers to join the built-in Wi-Fi network of this Sound-bar



1 With the Sound-bar ON, press the **SOURCE** button on the Sound-bar repeatedly or the **AIRPLAY** button on the remote control to select the **AIRPLAY** mode.

2 Press and hold **AIRPLAY** button on the remote control for a few seconds to switch the Sound-bar to the **AP** mode. The Wi-Fi indicator flashes slowly.

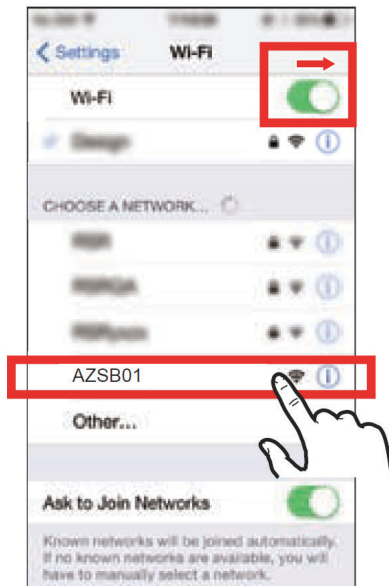
3 On your tablet or smartphone, activate Wi-Fi and join the "AZSB01" (Sound-bar built-in Wi-Fi network).

- For how to stream music from your devices (e.g smartphones, tablets or similar devices) to this player and playback (See Listen to music from Wi-Fi device)

• Open the built-in web page and **CLIENT** mode configuration

4 Disable the 3G or 4G network of your smartphone.

5 Open a browser and type: **192.168.1.12** in the address field.



## 6 Follow the on-screen instructions to configure the Wi-Fi settings for the device.

| AP Mode   | Client Mode   | Others... |
|---|---|-----------|
| <ul style="list-style-type: none"> <li>• We strongly recommend that you add a password for this built-in Wi-Fi network (SoundBar), you can also rename this network for easy recognition.</li> <li>• Your smartphone will lose wireless connection after new setting applied, you must search for renamed (or not) built-in Wi-Fi network again and connect to it with specified password.</li> </ul> | <ul style="list-style-type: none"> <li>• Connect to a router.</li> <li>• You can configure this player to connect to your home router by client mode setting web page.</li> <li>• You will need to know the name and password of your home Wi-Fi network before you start.</li> </ul> |           |

- Enter your password (if required) and tap or click JOIN to connect to your home Wi-Fi network.

## 7 On your computer, tablet or smartphone, return to the Wi-Fi control panel and rejoin your home Wi-Fi network.

- For how to stream music from your smartphone to this player and playback (See Listen to music from Wi-Fi device).

### Note:

- *Once you set up the Sound-bar's system on your home Wi-Fi network, you can control the system from any computer on the same network.*
- *After entering into AIRPLAY mode, please wait for a moment, it takes about 15 seconds for the system to startup.*
- *If your network information has changed or to connect your Sound-bar to another network (see Airplay and Wi-Fi setup).*
- *If you forget the password, press and hold ►/PAIR button on the Sound-bar or on the remote control for a few seconds until the Wi-Fi indicator flashes very fast to restore all Wi-Fi settings to default.*
- *In WAC mode, if the Wi-Fi network connection fails and till can't be connected for 30 seconds, the Sound-bar will switch to AP mode automatically.*

## Clear all Wi-Fi settings:

- Press and hold ►/PAIR button on the Sound-bar or on the remote control for a few seconds to restore all Wi-Fi settings to default.
- If you reset of the Wi-Fi settings to their default values, please re-connect the player to your home Wi-Fi network (see AirPlay and Wi-Fi setup).

## Listen to music from Wi-Fi device:

- After connecting the unit to your network, it is ready to stream audio from an AirPlay device on the same Wi-Fi network.
- To stream and play music from another device, you must stop playing music from the original device.



## Playing an AirPlay stream from an AirPlay compatible device:


AirPlay works with iPhone, iPad, and iPod touch with iOS 4.3.3 or later, Mac with OS X Mountain Lion, and Mac and PC with iTunes 10.2.2 or later.

1. During ON mode, press the **SOURCE** button on the Sound-bar repeatedly or the **AIRPLAY** button on the remote control to select the AIRPLAY mode. The AIRPLAY indicator will be Light Blue.
  - Wait for 15 seconds until the Wi-Fi network indicator lights up steadily (Connected).
2. Connect to your AirPlay device to the same Wi-Fi network. Go to settings--> Wi-Fi on your AirPlay device.



3. Start a music app or music stored on your AirPlay device.
4. On the device, tap or click on the Airplay Icon and select the unit name (assigned during setup).
5. Start playing your music.

## Playing an AirPlay stream from an AirPlay compatible device:

1. During ON mode, press the **SOURCE** button on the Sound-bar repeatedly or the **AIRPLAY** button on the remote control to select the AIRPLAY mode. The AIRPLAY indicator will be Light Blue.
  - Wait for 15 seconds until the Wi-Fi network indicator lights up steadily (Connected).
2. Connect to your Android device to the same Wi-Fi network. Go to settings--> Wi-Fi on your Android device.
3. Start a music app on your smartphones/tablets.
4. On the device, tap or click  and select the unit name (assigned during setup).
5. Start playing your music.

### Tips:

- Not all Android devices are compatible with this Sound-bar.
- If your smartphone does not play, please install an App to support DLNA music clients.

# Technical Specifications

## General

|  |                                 |
|--|---------------------------------|
| Power Supply .....                     | AC220-240V~ 50/60Hz             |
| Maximum Power Output.....              | 150 W                           |
| RMS Power Output.....                  | 120 W                           |
| Power Consumption .....                | 30 W                            |
| Power consumption of standby mode..... | < 0.5 W                         |
| Frequency Response .....               | 40Hz - 20KHz                    |
| Total harmonic distortion.....         | 1% (1kHz, 1W)                   |
| Audio input sensitivity.....           | 500mV                           |
| Dimension (W x H x D).....             | 950 x 141 x 45 mm               |
| Impedance.....                         | 8 $\Omega$ x 2 + 8 $\Omega$ x 2 |

## Standard Accessories

- 1x - Remote Control
- 1x - Instruction Manual
- 1x - 3.5mm to RCA audio cable
- 1x - Power Cord
- 1x - Quick Start Guide
- 1x - 3.5mm to RCA audio cable
- 1x - Warranty Card

# Troubleshooting Guide

## No power:

- Ensure that the AC cord of the apparatus is connected properly
- Ensure that there is power at the AC outlet
- Press ON/OFF button to turn the unit on

## No response from the unit:

- Disconnect and reconnect the AC power plug, then turn the unit on again

## Remote control does not work:

- Before you press any SOURCE button, first select the correct source
- Reduce the distance between the remote control and the unit
- Insert the battery with its polarities (+/-) aligned as indicated
- Replace the battery
- Aim the remote control directly at the sensor on the front of the unit

## No Response From the Unit:

- Disconnect and reconnect the AC power plug, then turn on the unit again

## I can't find the Bluetooth name of this unit on my Bluetooth device for Bluetooth pairing:

- Ensure that the unit is switch on
- Ensure that the Bluetooth function is activated on your Bluetooth device

## Cannot complete network setup:

- Ensure network name and password are correct

## Intermittent or no audio:

- Move system away from possible interference (microwaves, cordless phones, etc.)
- Stop other audio or video streaming applications
- Ensure system is powered and connected to the same network as the tablet or smartphone
- Move system or audio source closer to wireless router or access point
- Ensure system volume is not muted or too low
- Unplug the power cord; reconnect after one minute

## Cannot hear an AirPlay stream:

- Ensure system and AirPlay device are connected to the same network
- Ensure AirPlay device is playing; increase its volume
- Ensure system is selected in the AirPlay menu of the device
- Move AirPlay device away from possible interference and closer to the wireless router or access point

*Note: Proximity of the AirPlay device to the system is not important, only to the wireless router or access point.*

**AZATOM<sup>®</sup>**  
ADVANCING AUDIO TECHNOLOGY



[www.azatom.com](http://www.azatom.com)



@AZATOM



@AZATOM



@AZATOM.ONLINE

Grab your free extended  
warranty & keep up to date  
with **AZATOM<sup>®</sup>** online at  
[www.azatom.com](http://www.azatom.com)



**AZATOM<sup>®</sup>**

**2 YEAR PROTECT  
PREMIUM**