

AZATOM®

Desire DAB Radio

DAB, DAB+, FM Retro Radio with Bluetooth & CD Player



SPEAKER



AUX IN & OUT



DUAL ALARMS



DIGITAL RADIO



MAINS POWER



BATTERY POWER



BRIGHTNESS



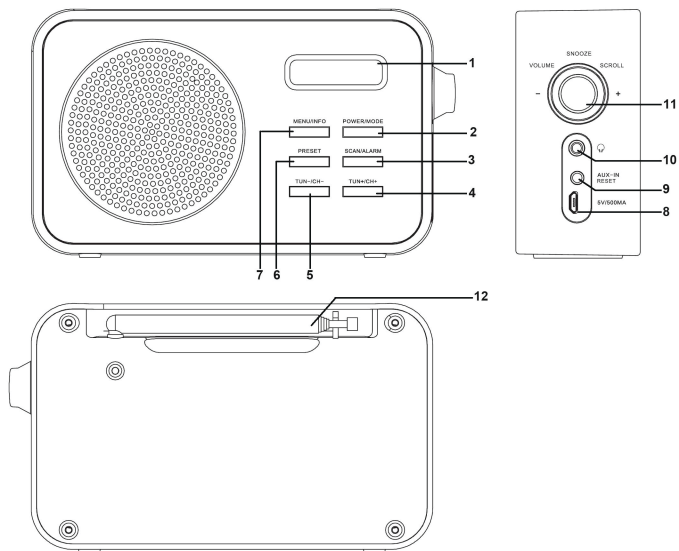
60 PRESETS



User Manual

This manual is available to download online at www.azatom.com

Controls & Interface



- | | | |
|--|-----------------------|--|
| 1. Display | 5. CH- / TUN- | 9. AUX Port / Reset |
| 2. Power / Mode | 6. Presets | 10. 3.5mm Earphone |
| (Quick press turns the radio on,
Press and hold to turn the radio off.) | 7. Menu / Info | 11. Snooze / Select /
Volume / Scroll |
| 3. Scan / Alarm | 8. DC Power IN | 12. Telescopic Aerial |
| 4. CH+ / TUN+ | | |

What's in the box

- **AZATOM® Desire DAB Radio**
- **User Manual**
- **Power Adapter**
- **Warranty Card**

Getting Started

Installation

Please read the manual thoroughly before operating the device!

Choose a suitable location for the device. Suitable locations are dry, even and anti-slip surfaces on which you may operate the device easily.

Make sure there is proper ventilation for the device! If necessary, remove the protective plastic sheet from the display.

Power supply (Adapter)

Insert the mains adaptor plug into a properly installed AC socket. Connect the device with the plug connector by inserting the plug into the 5V/500mA USB charging port of the device. Make sure the grid voltage corresponds to the figures on the rating plate.

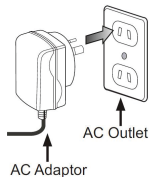
CAUTION:

Only use the supplied power adapter for this device.
Do not use for other devices.

Only use the original AC adapter. This adapter has been specially designed for the built-in battery in order to gradually charge the battery. Any other adapter can shorten the battery life or can damage it or the device.

NOTE:

Disconnect from mains power supply during longer periods of non-use.



Operating your radio

- 1 - Carefully extend the telescopic aerial.
- 2 - Press the POWER button to switch on your radio. The display will show "Welcome to digital radio."
- 3 - If this is the first time the unit goes into DAB Mode, it will automatically start an 'Auto Scan' to search for available stations.

(Once DAB Mode has been used before, the DESIRE will automatically select the previously played station)

- 4 - Pressing and holding "SCAN" at any time will automatically start an auto scan. During the scanning process, the lower line of the display shows a bar-graph indicating progress of the scan.
- 5 - When the scanning is completed the first station (in alphanumeric order) will be selected. The clock will automatically set to the current time.
- 6 - If the station list is still empty after the scan your radio will display "Service not available"
- 7 - If no stations are found, please ensure the aerial is extended and test the reception by doing another auto scan in a different location.

Selecting a station – DAB

- 1 - The top line of the display shows the name of the station currently selected.
- 2 - Push the Tuning+/ Tuning- button to select the list of available stations on the lower line of the display, and push the SELECT button to confirm the desired station.

Finding new radio stations - DAB

Over time new stations may become available. To find new stations you can auto scan as follows.

- 1 - Press the Tuning+ / Tuning-, the display will show "Auto Scan Now".
- 2 - Click the Tuning+ / Tuning- until the display shows "scan".
- 3 - Press "SCAN" for auto scan. The display will show "Scanning..." and your radio will perform a scan of the Band III DAB channels. As new radio stations are found the station counter on the right-hand side of the display will increase and the radio stations will be added to the list stored in the radio.

Secondary services - DAB

- 1 - Some radio stations have additional secondary services associated with them. If a radio station has a secondary service associated with it the display will show ">>" next to the station name on the station list. The secondary service will then appear immediately after the primary services as you push the Tuning+ / Tuning-
- 2 - Click SELECT to select the station
- 3 - When the secondary service shuts down, your radio will automatically switch back to the main radio station if it is available.

Auto Scan – DAB

As an alternative to clicking the menu button to select a station, your radio can be set so as to automatically select a station.

- 1 - Press the MENU button and Tuning+/Tuning- until you find "Settings".
- 2 - Press Tuning+/Tuning- until "Auto Scan On " shows on the display.
- 3 - Press Tuning+/Tuning- until "YES" is highlighted. Press SELECT to confirm the selection.

When tuning your radio it will now automatically select a station from the station list.

- 4 - If you do not wish to use the Auto Scan On function press Tuning+/Tuning- until "NO" is highlighted. The radio will require a click to choose a station from the station list.

Manual Tuning – DAB

Manual tuning allows you to tune the radio to the various DAB Band III channels. UK DAB stations are located in the range 11B to 12D.

- 1 - Press MENU and Tuning+/Tuning- until the display shows "Manual Scan", press SELECT to enter the Services Menu.
- 2 - Press Tuning+/Tuning- to highlight the desired channel.
- 3 - Press MENU, the graph will indicate the signal strength, and the upper line will show the name of the DAB multiplex (group of radio stations). Any stations found will be added to the stored list in the radio.
- 4 - Press MENU to return to the normal tuning mode.

Dynamic Range Control – DAB

Dynamic range control (also known as DRC) can make quieter sounds easier to hear when your radio is used in a noisy environment.

- 1 - Press the POWER button to switch on your radio.
- 2 - Press MENU and Tuning+/Tuning- until the display shows "DRC". Press SELECT to enter the settings menu.
- 3 - Press Tuning+/Tuning- until "DRC" is highlighted.
- 4 - Press SELECT to enter the adjustment mode.
- 5 - Press Tuning+/Tuning- to select the required DRC setting (the default is 0).

DRC OFF - DRC is switched off, Broadcast DRC will be ignored.

DRC LOW - DRC level is set to 1/2 that sent by broadcaster.

DRC HIGH - DRC level is used as sent by broadcaster.

6. Press MENU to confirm the setting. The display will return to the previous display.

Note: Not all DAB broadcasts are able to use the DRC function. If the broadcast does not support DRC, then the DRC setting in the radio will have no effect.

Auto Search Tuning – FM

- 1 - Carefully extend the telescopic aerial fully and press the POWER button to switch on your radio.
- 2 - Press MODE to enter FM mode.
- 3 - Press the Tuning+ button and hold for 2 seconds, your radio will scan and stop automatically when it finds a station of sufficient strength.
- 4 - After a few seconds the display will update. The display will show the frequency of the signal found. If the signal is strong enough and there is RDS data present then the radio will display the station name.
- 5 - To find other stations, press and hold the Tuning+ button as before.
- 6 - To scan the FM band in the opposite direction (high frequency to low frequency) press the Tuning- button and hold for 2 seconds.
- 7 - When the waveband end is reached your radio will recommence tuning from the opposite waveband end.

Manual Tuning – FM

- 1 - Carefully extend the telescopic aerial fully and press the POWER button to switch on your radio.
- 2 - Select FM mode as previously described if required.
- 3 - Press Tuning+/Tuning- to tune to a station. With each press of tuning-/+ the frequency will change up or down by 50 kHz.
- 4 - When the waveband end is reached the radio will recommence tuning from the opposite waveband end.

Preset Stations – FM and DAB

You may store your preferred DAB and FM radio stations to the preset station memories. There are 60 memory presets in your radio, 30 for DAB and 30 for FM. Presets are remembered by your radio in the event of a power failure. The procedure for setting presets and using them to tune stations is the same for FM and DAB modes:

- 1 - Press POWER button to switch on the radio.
- 2 - Select the desired waveband.
- 3 - Tune to the required station as previously described.
- 4 - Press PRESET button and hold to enter pre-set store, and then press to select the desired preset number which you wish to store the station.
Press SELECT to confirm.
- 5 - Press SELECT to confirm, for example, "Preset 01 stored". The station will be stored under the chosen pre-set. Repeat this procedure as needed.
- 6 - Stations which have been stored in preset memories may be overwritten by following the above procedure.

Recalling Presets

- 1 - Press the POWER button to switch on the radio.
- 2 - Press PRESET, then the display will show "Preset Recall" then press SELECT to tune to the station stored in preset memory.

Note: *If you have not previously stored a preset station and the preset button is pressed "Empty preset" will be displayed.*

Brightness setting

The brightness of the display can be adjusted on your radio

- 1 - Press MENU and Tuning+/Tuning- until "Set Brightness" shows on the display.
- 2 - Press the SELECT to enter adjustment mode.
- 3 - Press Tuning+/Tuning- to adjust the brightness level (between High, Medium, and Sleep Low). The brightness level indication on the screen will change at the same time. When you find the setting that gives you the best legibility for the location in which the radio is used, press SELECT to save the setting.

Sleep function

Your radio can be set to turn off after a preset time has elapsed. The sleep setting can be adjusted between 15 and 90 minutes. Ensure your radio is switched on.

- 1 - Press MENU and Tuning+/Tuning- until "Set Sleep time" is highlighted on the display.
- 2 - Press SELECT to enter adjustment mode.
- 3 - Press Tuning+/Tuning- to set the desired sleep time between 15, 30,45, 60,75 and 90 minutes or Sleep Off which will cancel the sleep function.
- 4 - Press SELECT to confirm the setting. The sleep timer indicator "⌚" will show on the display. Your radio will switch off after the pre-set sleep time has elapsed.

Backlight Setting

- 1 - Press the MENU and Tuning+/Tuning- until " Backlight Auto" is highlighted on the display.
- 2 - Press Tuning+/Tuning- until "NO" is highlighted. Press SELECT to confirm selection. The backlight will never dim. If select "YES", the LCD would dim 1/4 after 20 seconds, and dim 1/2 after 2 minutes.

Time/Date Setting

When no DAB/FM signal, you need to set the TIME and DATE manually.

- 1 - Press MENU to enter the settings menu.
- 2 - Press Tuning+/Tuning- until " Settings", press SELECT to enter.
- 3 - Press Tuning+/Tuning- until " Set Time/Date", press SELECT to enter.
Or Tuning+/Tuning- to set the time to AUTO UPDATE, 12/24 hours, and update the date format as well.
- 4 - Press Tuning+/Tuning- and SELECT to set the correct time and date.

Alarm Setting

NOTE: PLEASE SELECT A RADIO STATION BEFORE SETTING THE ALARM.

You will be given the option to choose from last station used or one of your favourite preset channels.

- 1 - Press ALARM to enter the setting menu, press ALARM again to choose ALARM 1 or ALARM 2.
- 2 - Press Tuning+/Tuning- to set the alarm time and press SELECT to confirm.
- 3 - Press Tuning+/Tuning- to set the duration 15, 30, 45, 60, 90 minutes and press SELECT to confirm.
- 4 - Press Tuning+/Tuning- to set the alarm source and press SELECT to confirm.
- 5 - Press Tuning+/Tuning- to set the Once / Daily / Weekdays / Weekends , choose the days on which the alarm is active.
- 6 - Press Tuning+/Tuning- to set the alarm volume and press SELECT to confirm.
- 7 - Press Tuning+/Tuning- to save the alarm setting.

Snooze - Stop Alarm

- 1 - When the alarm sounds, pressing the SELECT button will temporarily silence the alarm, you can choose the time from 5, 10, 15, 20, 25, 30 minutes and snooze off.
- 2 - The snooze function also has a countdown allowing you to see how long before the alarm re-sounds.
- 3 - When you choose SNOOZE OFF, the radio returns to standby mode, showing the time and date. Press POWER to turn it on.

Stop Alarm

When the alarm is sounding you can press any buttons except the Snooze button one time to stop the alarm sound. The Desire Radio will then return to Standby mode.

AUX-IN

Aux-in mode plays audio from an external source such as a smartphone or tablet.

1. Plug in the end of a 3.5mm audio cable (not included) into the headphone or line out jack on your Desire, plug the other end of cable into the unit AUX-IN jack on the back of the Desire.
2. Turn on the external audio source and play your device.
3. Press MODE button to "Auxiliary Input" mode.
4. The volume level can now be controlled through the main unit. Operate all other functions on the external device as usual.

Notes:

If you're connected to the Line out Jack of your external device, then you only need to adjust the volume control of this unit. If you're connected to the Headphone Jack of your external device, then you may need to adjust both the volume control of your external device and the volume control of this unit to find the most desirable volume setting.

Please ensure the cable is disconnected to listen to the DESIRE in other modes such as DAB and FM.

FM Stereo/Mono (Earphones only)

If a station being received is weak, some distortion may be audible (especially when listening using earphones).

- 1 - Press and hold MENU button, "Settings" is highlighted. Press SELECT to enter this function.
- 2 - Press Tuning+/Tuning- until the display shows "Audio setting" then press SELECT.
- 3 - Press Tuning+/Tuning- until "Forced mono" is displayed. Press the SELECT to select mono. Your radio will select the mono audio mode.
- 4 - To return to stereo mode press Tuning+/Tuning- until the display shows "Audio setting" then press SELECT.
- 5 - Press Tuning+/Tuning- until "Stereo allowed" is displayed. Press SELECT, your radio will switch to stereo mode.

Note: Stereo listening is only available when listening via earphones.

Earphones (NOT INCLUDED)

The lead connecting the earphones to your radio acts as an aerial when plugged into the Earphone socket.

- 1 - Plug the earphones into the Earphone socket on the side of your radio.
- 2 - Check that the Volume level is not too loud before placing the ear-pieces into your ears.

IMPORTANT: Do not switch on the radio with the earphones connected and inserted in your ear. Excessive sound pressure from earphones can cause hearing loss.

Languages

- 1 - Press and hold MENU button, "Settings" is highlighted.
Press SELECT to enter settings.
- 2 - Scroll through the settings menu to find the language options.
- 3 - Select which language you require from: English, German, French or Italian.

Technical Specifications

Power requirement mains: AC 100-240V 50/60Hz DC 5V 500mA

Lithium rechargeable battery: 3.7V, 1800mAH

Battery life full charge

Up to 15 hours using the loudspeaker for 4 hours a day at normal volume.

Up to 18 hours using earphones for 4 hours a day at normal volume.

Frequency Coverage

FM: 87.5-108MHz

DAB: 174.928 - 239.200MHz

Circuit Features:

Loudspeaker: 3.0 inch

Output power: 3W (speaker)

Earphone socket: 3.5mm dia. stereo

Aerial system:

FM: telescopic aerial

DAB: telescopic aerial

Factory reset

If your radio fails to operate correctly, or some digits on the display are missing or incomplete, it may be possible to restore normal operation by carrying out a system reset operation on your radio. This will restore the radio's settings to their factory defaults. No presets will be stored, and the list of DAB radio stations will be empty.

If you have moved to a different part of the country and you wish to erase local DAB radio stations that are no longer available from the stored list, then you may carry out this procedure. Your radio will automatically re-scan for the DAB stations available at your current location when it restarts.

- 1 - Press MENU to enter the menu.
- 2 - Press Tuning+/Tuning- until the display shows "Settings", then press SELECT to enter the settings menu.
- 3 - Press Tuning+/Tuning- until the display shows "Factory Reset". Press the SELECT.
- 4 - If you wish to perform the reset operation, push the Tuning+/Tuning- until "YES" is highlighted on the display and press. A full reset of your radio will be performed, All presets and station lists will be erased.

If you do not wish to reset your radio press Tuning+/Tuning- until "NO" is highlighted. Your radio will return to the previous menu.

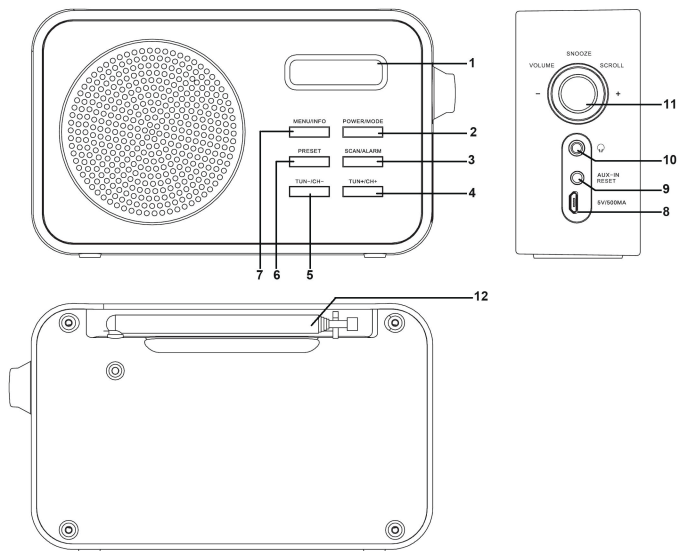
- 5 - After a system reset a scan of the DAB band will be performed.

In case of malfunction due to electrostatic discharge, reset the product (temporary disconnection of the power adaptor may be required) to resume normal operation.



DEUTSCHE

Bedienelemente & Schnittstelle



1. Anzeige

2. Power / Mode

(Durch kurzes Drücken wird das Radio eingeschaltet.

Halten Sie gedrückt, um das Radio auszuschalten.)

3. Scan / Alarm

4. CH + / TUN +

5. CH- / TUN-

6. Voreinstellungen

7. Menü / Info

8. DC Power IN

9. AUX Port / Reset

10. 3,5 mm Kopfhörer

11. Snooze / Select /

Lautstärke / Bildlauf

12. Teleskopantenne

Was ist in der Box

- **AZATOM® Desire DAB Radio**
- **Benutzerhandbuch**
- **Netzteil**
- **Garantiekarte**

Beginnen

Installation

Bitte lesen Sie das Handbuch sorgfältig durch, bevor Sie das Gerät in Betrieb nehmen! Wählen Sie einen geeigneten Ort für das Gerät. Geeignete Standorte sind trocken, gleichmäßig und rutschfest Oberflächen, auf denen Sie das Gerät problemlos bedienen können.

Stellen Sie sicher, dass das Gerät ausreichend belüftet ist! Entfernen Sie gegebenenfalls die Plastikschutzfolie vom Display.

Stromversorgung (Adapter) Stecken Sie den Netzadapterstecker in eine ordnungsgemäß installierte Netzsteckdose. Verbinden Sie das Gerät mit dem Stecker, indem Sie den Stecker in den 5V / 500mA USB-Ladeanschluss des Geräts stecken. Stellen Sie sicher, dass die Netzspannung den Angaben auf dem Typenschild entspricht.

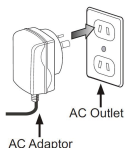
VORSICHT:

Verwenden Sie für dieses Gerät nur das mitgelieferte Netzteil. Nicht für andere Geräte verwenden.

Verwenden Sie nur das Original-Netzteil. Dieser Adapter wurde speziell für den eingebauten Akku entwickelt, um den Akku schrittweise aufzuladen. Jeder andere Adapter kann die Batteriebensdauer verkürzen oder ihn oder das Gerät beschädigen.

HINWEIS:

Bei längerer Nichtbenutzung vom Stromnetz trennen.



Bedienen Sie Ihr Radio

- 1 - Ziehen Sie die Teleskopantenne vorsichtig heraus.
- 2 - Drücken Sie die POWER-Taste, um Ihr Radio einzuschalten. Auf dem Display wird "Willkommen beim Digitalradio" angezeigt.
- 3 - Wenn das Gerät zum ersten Mal in den DAB-Modus wechselt, startet es automatisch einen automatischen Scan, um nach verfügbaren Sendern zu suchen.
(Sobald der DAB-Modus zuvor verwendet wurde, wählt der DESIRE automatisch den zuvor gespielten Sender aus.)
- 4 - Wenn Sie jederzeit „SCAN“ gedrückt halten, wird automatisch ein automatischer Scan gestartet. Während des Scanvorgangs wird in der unteren Zeile des Displays ein Balkendiagramm angezeigt, das den Fortschritt des Scanvorgangs anzeigt.
- 5 - Nach Abschluss des Scanvorgangs wird die erste Station (in alphanumerischer Reihenfolge) ausgewählt. Die Uhr wird automatisch auf die aktuelle Uhrzeit eingestellt.
- 6 - Wenn die Senderliste nach dem Scan noch leer ist, wird Ihr Radio angezeigt "Service nicht verfügbar"
- 7 - Wenn keine Stationen gefunden werden, stellen Sie bitte sicher, dass die Antenne ausgefahren ist, und testen Sie den Empfang, indem Sie einen weiteren automatischen Scan an einem anderen Ort durchführen.

Sender auswählen - DAB

- 1 - In der oberen Zeile des Displays wird der Name des aktuell ausgewählten Senders angezeigt.
- 2 - Drücken Sie die Tuning + / Tuning- Taste, um die Liste der verfügbaren Sender in der unteren Zeile des Displays auszuwählen, und drücken Sie die SELECT-Taste, um den gewünschten Sender zu bestätigen.

Neue Radiosender finden - DAB

Im Laufe der Zeit werden möglicherweise neue Stationen verfügbar. Um neue Sender zu finden, können Sie wie folgt automatisch scannen.

- 1 - Drücken Sie Tuning + / Tuning-. Auf dem Display wird „Auto Scan Now“ angezeigt.
- 2 - Klicken Sie auf Tuning + / Tuning-, bis auf dem Display „Scan“ angezeigt wird.
- 3 - Drücken Sie „SCAN“ für den automatischen Scan. Das Display zeigt „Scannen ...“ an und Ihr Radio führt einen Scan der Band III DAB-Kanäle durch. Sobald neue Radiosender gefunden werden, erhöht sich der Senderzähler auf der rechten Seite des Displays und die Radiosender werden der im Radio gespeicherten Liste hinzugefügt.

Sekundärdienste - DAB

- 1 - Mit einigen Radiosendern sind zusätzliche Sekundärdienste verbunden. Wenn einem Radiosender ein sekundärer Dienst zugeordnet ist, zeigt das Display neben dem Sendernamen in der Senderliste „>>“ an. Der sekundäre Dienst wird dann unmittelbar nach den primären Diensten angezeigt, wenn Sie Tuning + / Tuning- drücken.
- 2 - Klicken Sie auf AUSWÄHLEN, um den Sender auszuwählen
- 3 - Wenn der sekundäre Dienst heruntergefahren wird, schaltet Ihr Radio automatisch zum Hauptradiosender zurück, falls verfügbar.

Auto Scan - DAB

Alternativ zum Klicken auf die Menüschaftfläche zur Auswahl eines Senders kann Ihr Radio so eingestellt werden, dass automatisch ein Sender ausgewählt wird.

- 1 - Drücken Sie die MENU-Taste und Tuning + / Tuning-, bis Sie „Einstellungen“ finden.
- 2 - Drücken Sie Tuning + / Tuning-, bis „Auto Scan On“ auf dem Display angezeigt wird.
- 3 - Drücken Sie Tuning + / Tuning-, bis „YES“ markiert ist. Drücken Sie SELECT, um die Auswahl zu bestätigen. Wenn Sie Ihr Radio einstellen, wird automatisch ein Sender aus der Senderliste ausgewählt.
- 4 - Wenn Sie die Funktion Auto Scan On nicht verwenden möchten, drücken Sie Tuning + / Tuning-, bis „NO“ markiert ist. Das Radio benötigt einen Klick, um einen Sender aus der Senderliste auszuwählen.

Manuelle Abstimmung - DAB

Mit der manuellen Abstimmung können Sie das Radio auf die verschiedenen DAB Band III-Kanäle einstellen. UK DAB-Stationen befinden sich im Bereich von 11B bis 12D.

- 1 - Drücken Sie MENU und Tuning + / Tuning-, bis auf dem Display „Manual Scan“ angezeigt wird. Drücken Sie SELECT, um das Servicemenü aufzurufen.
- 2 - Drücken Sie Tuning + / Tuning-, um den gewünschten Kanal zu markieren.
- 3 - Drücken Sie MENU. Das Diagramm zeigt die Signalstärke an und in der oberen Zeile wird der Name des DAB-Multiplex (Gruppe von Radiosendern) angezeigt. Alle gefundenen Sender werden der gespeicherten Liste im Radio hinzugefügt.
- 4 - Drücken Sie MENU, um zum normalen Abstimmmodus zurückzukehren.

Dynamikbereichssteuerung - DAB

Die Dynamikbereichssteuerung (auch als DRC bezeichnet) kann leisere Geräusche leichter hören, wenn Ihr Radio in einer lauten Umgebung verwendet wird.

- 1 - Drücken Sie die POWER-Taste, um Ihr Radio einzuschalten.
- 2 - Drücken Sie MENU und Tuning + / Tuning-, bis auf dem Display „DRC“ angezeigt wird. Drücken Sie SELECT, um das Einstellungs Menü aufzurufen.
- 3 - Drücken Sie Tuning + / Tuning-, bis „DRC“ markiert ist.
- 4 - Drücken Sie SELECT, um den Einstellmodus aufzurufen.
- 5 - Drücken Sie Tuning + / Tuning-, um die gewünschte DRC-Einstellung auszuwählen (die Standardeinstellung ist 0).

DRC OFF - DRC ist ausgeschaltet, Broadcast DRC wird ignoriert.

DRC LOW - Der DRC-Pegel ist auf 1/2 eingestellt, der vom Sender gesendet wird.

DRC HIGH - Der DRC-Pegel wird vom Sender gesendet.

6. Drücken Sie MENU, um die Einstellung zu bestätigen. Die Anzeige kehrt zur vorherigen Anzeige zurück.

Hinweis: Nicht alle DAB-Broadcasts können die DRC-Funktion verwenden. Wenn die Sendung DRC nicht unterstützt, hat die DRC-Einstellung im Radio keine Auswirkung.

Auto Search Tuning - FM

- 1 - Ziehen Sie die Teleskopantenne vorsichtig vollständig heraus und drücken Sie die POWER-Taste, um Ihr Radio einzuschalten.
- 2 - Drücken Sie MODE, um den FM-Modus aufzurufen.
- 3 - Drücken Sie die Tuning + -Taste und halten Sie sie 2 Sekunden lang gedrückt. Ihr Radio scannt und stoppt automatisch, wenn es einen Sender mit ausreichender Stärke findet.
- 4 - Nach einigen Sekunden wird die Anzeige aktualisiert. Das Display zeigt die Frequenz des gefundenen Signals an. Wenn das Signal stark genug ist und RDS-Daten vorhanden sind, zeigt das Radio den Sendernamen an.
- 5 - Um andere Sender zu finden, halten Sie die Tuning + -Taste wie zuvor gedrückt.
- 6 - Um das FM-Band in die entgegengesetzte Richtung (Hochfrequenz zu Niederfrequenz) abzutasten, drücken Sie die Tuning-Taste und halten Sie sie 2 Sekunden lang gedrückt.
- 7 - Wenn das Wellenbandende erreicht ist, beginnt Ihr Radio erneut mit der Abstimmung vom gegenüberliegenden Wellenbandende.

Manuelle Abstimmung - FM

- 1 - Ziehen Sie die Teleskopantenne vorsichtig vollständig heraus und drücken Sie die POWER-Taste, um Ihr Radio einzuschalten.
- 2 - Wählen Sie bei Bedarf den zuvor beschriebenen FM-Modus.
- 3 - Drücken Sie Tuning + / Tuning-, um einen Sender einzustellen. Mit jedem Einstellen von - / + ändert sich die Frequenz um 50 kHz.
- 4 - Wenn das Wellenbandende erreicht ist, beginnt das Radio erneut mit der Abstimmung vom gegenüberliegenden Wellenbandende.

Voreingestellte Stationen - FM

Sie können Ihre bevorzugten DAB- und FM-Radiosender in den voreingestellten Senderspeichern speichern. Ihr Radio verfügt über 60 Speichervoreinstellungen, 30 für DAB und 30 für FM. Bei einem Stromausfall speichert Ihr Radio Voreinstellungen. Das Verfahren zum Einstellen von Voreinstellungen und zum Einstellen von Sendern ist für FM und

DAB-Modi:

- 1 - Drücken Sie die POWER-Taste, um das Radio einzuschalten.
- 2 - Wählen Sie das gewünschte Wellenband.
- 3 - Stellen Sie die gewünschte Station wie zuvor beschrieben ein.
- 4 - Halten Sie die PRESET-Taste gedrückt, um den voreingestellten Speicher aufzurufen, und drücken Sie dann, um die gewünschte voreingestellte Nummer auszuwählen, unter der Sie den Sender speichern möchten. Drücken Sie zur Bestätigung SELECT.
- 5 - Drücken Sie SELECT, um beispielsweise „Preset 01 gespeichert“ zu bestätigen. Die Station wird unter der gewählten Voreinstellung gespeichert. Wiederholen Sie diesen Vorgang nach Bedarf.
- 6 - Stationen, die in voreingestellten Speichern gespeichert wurden, können wie oben beschrieben überschrieben werden.

Voreinstellungen aufrufen

- 1 - Drücken Sie die POWER-Taste, um das Radio einzuschalten.
- 2 - Drücken Sie PRESET. Auf dem Display wird „Preset Recall“ angezeigt. Drücken Sie dann SELECT, um den im voreingestellten Speicher gespeicherten Sender einzustellen.

Hinweis: Wenn Sie zuvor keinen voreingestellten Sender gespeichert haben und die voreingestellte Taste gedrückt wird, wird „Leere Voreinstellung“ angezeigt.

Helligkeitseinstellung

Die Helligkeit des Displays kann an Ihrem Radio eingestellt werden

1 - Drücken Sie MENU und Tuning + / Tuning-, bis im Display „Set Brightness“ angezeigt wird.

2 - Drücken Sie SELECT, um den Einstellmodus aufzurufen.

3 - Drücken Sie Tuning + / Tuning-, um die Helligkeitsstufe einzustellen (zwischen High, Medium und Tief schlafen). Die Helligkeitsanzeige auf dem Bildschirm ändert sich gleichzeitig Zeit. Wenn Sie die Einstellung gefunden haben, die Ihnen die beste Lesbarkeit für den Standort in bietet Wenn das Radio verwendet wird, drücken Sie SELECT, um die Einstellung zu speichern.

Schlaffunktion

Ihr Radio kann so eingestellt werden, dass es sich nach Ablauf einer voreingestellten Zeit ausschaltet. Die SchlafEinstellung kann zwischen 15 und 90 Minuten eingestellt werden. Stellen Sie sicher, dass Ihr Radio eingeschaltet ist.

1 - Drücken Sie MENU und Tuning + / Tuning-, bis „Set Sleep Time“ im Display angezeigt wird.

2 - Drücken Sie SELECT, um den Einstellmodus aufzurufen.

3 - Drücken Sie Tuning + / Tuning-, um die gewünschte Ruhezeit zwischen 15, 30, 45, 60, 75 und 90 Minuten einzustellen, oder Sleep Off, um die Schlaffunktion abzubrechen.

4 - Drücken Sie SELECT, um die Einstellung zu bestätigen. Die Sleep-Timer-Anzeige „☾“ wird auf dem Display angezeigt. Ihr Radio schaltet sich nach Ablauf der voreingestellten Ruhezeit aus.

Einstellung der Hintergrundbeleuchtung

1 - Drücken Sie das MENÜ und Tuning + / Tuning-, bis „Backlight Auto“ im Display markiert ist.

2 - Drücken Sie Tuning + / Tuning-, bis „NO“ markiert ist. Drücken Sie SELECT, um die Auswahl zu bestätigen. Die Hintergrundbeleuchtung wird niemals gedimmt. Wenn Sie „JA“ auswählen, wird das LCD nach 20 Sekunden um 1/4 und nach 2 Minuten um 1/2 gedimmt.

Zeit- / Datumseinstellung

Wenn kein DAB / FM-Signal vorhanden ist, müssen Sie TIME und DATE manuell einstellen.

- 1 - Drücken Sie MENU, um das Einstellungsmenü aufzurufen.
- 2 - Drücken Sie Tuning + / Tuning- bis „Settings“ und drücken Sie SELECT, um die Eingabe zu starten.
- 3 - Drücken Sie Tuning + / Tuning- bis „Set Time / Date“ und drücken Sie SELECT, um die Eingabe zu starten. Oder Tuning + / Tuning-, um die Uhrzeit auf AUTO UPDATE (12/24 Stunden) einzustellen und auch das Datumsformat zu aktualisieren.
- 4 - Drücken Sie Tuning + / Tuning- und SELECT, um die richtige Uhrzeit und das richtige Datum einzustellen.

Alarmeinrichtung

HINWEIS: WÄHLEN SIE BITTE EINE FUNKSTATION AUS, BEVOR SIE DEN ALARM EINSTELLEN.

Sie haben die Möglichkeit, zwischen der zuletzt verwendeten Station oder einer Ihrer Favoriten zu wählen voreingestellte Kanäle.

- 1 - Drücken Sie ALARM, um das Einstellungsmenü aufzurufen, und drücken Sie erneut ALARM, um ALARM 1 oder ALARM 2 auszuwählen.
- 2 - Drücken Sie Tuning + / Tuning-, um die Alarmzeit einzustellen, und drücken Sie zur Bestätigung SELECT.
- 3 - Drücken Sie Tuning + / Tuning-, um die Dauer 15, 30, 45, 60, 90 Minuten einzustellen, und drücken Sie zur Bestätigung SELECT.
- 4 - Drücken Sie Tuning + / Tuning-, um die Alarmquelle einzustellen, und drücken Sie zur Bestätigung SELECT.
- 5 - Drücken Sie Tuning + / Tuning-, um Einmal / Täglich / Wochentage / Wochenenden einzustellen. Wählen Sie die Tage aus, an denen der Alarm aktiv ist.
- 6 - Drücken Sie Tuning + / Tuning-, um die Alarmlautstärke einzustellen, und drücken Sie zur Bestätigung SELECT.
- 7 - Drücken Sie Tuning + / Tuning-, um die Alarmeinrichtung zu speichern.

Snooze - Alarm stoppen

1 - Wenn der Alarm ertönt, wird der Alarm durch Drücken der SELECT-Taste vorübergehend stummgeschaltet. Sie können die Zeit zwischen 5, 10, 15, 20, 25, 30 Minuten auswählen und ausschalten.

2 - Die Schlummerfunktion verfügt auch über einen Countdown, mit dem Sie sehen können, wie lange es dauert, bis der Alarm erneut ertönt.

3 - Wenn Sie SNOOZE OFF wählen, kehrt das Radio in den Standby-Modus zurück und zeigt Uhrzeit und Datum an. Drücken Sie POWER, um es einzuschalten.

Alarm stoppen

Wenn der Alarm ertönt, können Sie alle Tasten außer der Schlummertaste einmal drücken, um den Alarmton zu stoppen. Das Desire Radio kehrt dann in den Standby-Modus zurück.

AUX-IN

Im Aux-In-Modus wird Audio von einer externen Quelle wie einem Smartphone oder Tablet wiedergegeben.

1. Stecken Sie das Ende eines 3,5-mm-Audiokabels (nicht im Lieferumfang enthalten) in die Kopfhörer- oder Line-Out-Buchse Ihres Desire und das andere Ende des Kabels in die AUX-IN-Buchse des Geräts auf der Rückseite des Desire.
2. Schalten Sie die externe Audioquelle ein und spielen Sie Ihr Gerät ab.
3. Drücken Sie die MODE-Taste, um den Modus „AUX-Eingang“ aufzurufen.
4. Der Lautstärkepegel kann jetzt über das Hauptgerät gesteuert werden. Bedienen Sie alle anderen Funktionen des externen Geräts wie gewohnt.

Anmerkungen:

Wenn Sie an die Line-Out-Buchse Ihres externen Geräts angeschlossen sind, müssen Sie nur den Lautstärkeregel dieses Geräts einstellen. Wenn Sie an die Kopfhörerbuchse Ihres externen Geräts angeschlossen sind, müssen Sie möglicherweise sowohl den Lautstärkeregel Ihres externen Geräts als auch den Lautstärkeregel dieses Geräts anpassen, um die gewünschte Lautstärkeeinstellung zu finden.

Bitte stellen Sie sicher, dass das Kabel abgezogen ist, um das DESIRE in anderen Modi wie DAB und FM zu hören.

FM Stereo / Mono (nur Kopfhörer)

Wenn ein empfangener Sender schwach ist, kann eine gewisse Verzerrung hörbar sein (besonders beim Hören mit Kopfhörern).

1 - Halten Sie die MENU-Taste gedrückt. „Einstellungen“ wird hervorgehoben. Drücken Sie SELECT, um diese Funktion aufzurufen.

2 - Drücken Sie Tuning + / Tuning-, bis auf dem Display „Audioeinstellung“ angezeigt wird, und drücken Sie dann SELECT.

3 - Drücken Sie Tuning + / Tuning-, bis „Forced Mono“ angezeigt wird. Drücken Sie SELECT, um Mono auszuwählen. Ihr Radio wählt den Mono-Audiomodus.

4 - Um zum Stereomodus zurückzukehren, drücken Sie Tuning + / Tuning-, bis auf dem Display „Audioeinstellung“ angezeigt wird, und drücken Sie dann SELECT.

5 - Drücken Sie Tuning + / Tuning-, bis „Stereo erlaubt“ angezeigt wird. Drücken Sie SELECT, um Ihr Radio in den Stereomodus zu schalten.

Hinweis: Stereo-Hören ist nur beim Hören über Kopfhörer verfügbar.

Kopfhörer (NICHT INBEGRIFFEN)

Das Kabel, das die Kopfhörer mit Ihrem Radio verbindet, fungiert als Antenne, wenn es an die Kopfhörerbuchse angeschlossen wird.

1 - Stecken Sie die Kopfhörer in die Kopfhörerbuchse an der Seite Ihres Radios.

2 - Stellen Sie sicher, dass die Lautstärke nicht zu laut ist, bevor Sie die Ohrhörer in Ihre Ohren stecken.

WICHTIG: Schalten Sie das Radio nicht ein, wenn die Kopfhörer angeschlossen und in Ihr Ohr gesteckt sind. Übermäßiger Schalldruck von Kopfhörern kann zu Hörverlust führen.

Sprachen

- 1 - Halten Sie die MENU-Taste gedrückt. „Einstellungen“ wird hervorgehoben.
Drücken Sie SELECT, um die Einstellungen einzugeben.
- 2 - Scrollen Sie durch das Einstellungsmenü, um die Sprachoptionen zu finden.
- 3 - Wählen Sie die gewünschte Sprache aus: Englisch, Deutsch, Französisch oder Italienisch.

Technische Spezifikationen

Netzbedarf: Wechselstrom 100-240 V 50/60 Hz Gleichstrom 5 V 500 mA

Lithium-Akku: 3,7 V, 1800 mAh

Akkulaufzeit voll aufgeladen Bis zu 15 Stunden mit dem Lautsprecher 4 Stunden am Tag bei normaler Lautstärke. Bis zu 18 Stunden mit Kopfhörern für 4 Stunden am Tag bei normaler Lautstärke.

Frequenzabdeckung

FM: 87,5-108 MHz

DAB: 174,928 - 239,200 MHz

Schaltungsmerkmale:

Lautsprecher: 3,0 Zoll

Ausgangsleistung: 3W (Lautsprecher)

Kopfhörerbuchse: Ø 3,5 mm Stereo

Antennensystem:

FM: Teleskopantenne

DAB: Teleskopantenne

Werkseinstellungen zurückgesetzt

Wenn Ihr Radio nicht richtig funktioniert oder einige Ziffern auf dem Display fehlen oder unvollständig sind, kann der normale Betrieb möglicherweise wiederhergestellt werden, indem ein System-Reset-Vorgang an Ihrem Radio durchgeführt wird. Dadurch werden die Einstellungen des Radios auf die Werkseinstellungen zurückgesetzt. Es werden keine Voreinstellungen gespeichert und die Liste der DAB-Radiosender ist leer.

Wenn Sie in einen anderen Teil des Landes gezogen sind und lokale DAB-Radiosender löschen möchten, die nicht mehr in der gespeicherten Liste verfügbar sind, können Sie diesen Vorgang ausführen. Ihr Radio sucht beim Neustart automatisch nach den an Ihrem aktuellen Standort verfügbaren DAB-Sendern.

1 - Drücken Sie MENU, um das Menü aufzurufen.

2 - Drücken Sie Tuning + / Tuning-, bis auf dem Display „Settings“ angezeigt wird, und drücken Sie dann SELECT, um das Einstellungsmenü aufzurufen.

3 - Drücken Sie Tuning + / Tuning-, bis auf dem Display „Factory Reset“ angezeigt wird. Drücken Sie die SELECT.

4 - Wenn Sie den Reset-Vorgang ausführen möchten, drücken Sie Tuning + / Tuning-, bis „YES“ im Display markiert ist, und drücken Sie. Ein vollständiger Reset Ihres Radios wird durchgeführt. Alle Voreinstellungen und Senderlisten werden gelöscht.

Wenn Sie Ihr Radio nicht zurücksetzen möchten, drücken Sie Tuning + / Tuning-, bis „NO“ markiert ist. Ihr Radio kehrt zum vorherigen Menü zurück.

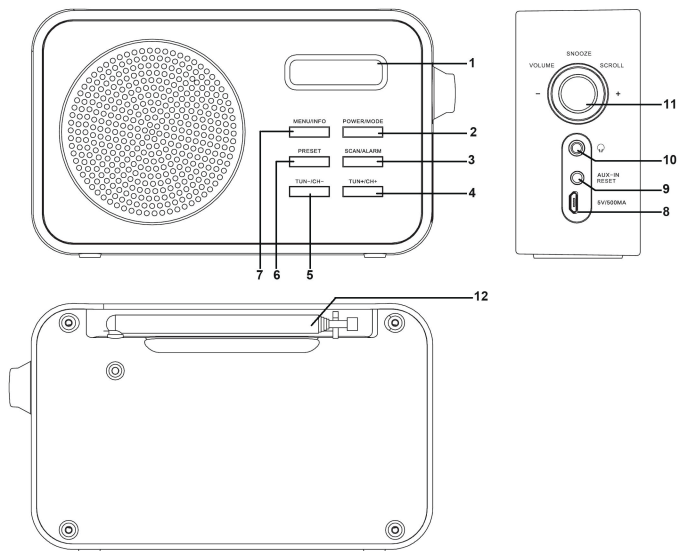
5 - Nach einem System-Reset wird ein Scan des DAB-Bandes durchgeführt.

Im Falle einer Fehlfunktion aufgrund elektrostatischer Entladung das Produkt zurücksetzen (möglicherweise ist eine vorübergehende Trennung des Netzteils erforderlich), um den normalen Betrieb wieder aufzunehmen.



FRANÇAIS

Commandes et interface



1. Affichage

2. Puissance / Mode

(Une pression rapide allume la radio, maintenez enfoncée

pour éteindre la radio.)

3. Scan / Alarme

4. CH + / TUN +

5. CH - / TUN -

6. Presets

7. Menu / Info

8. DC Power IN

9. Port AUX /

réinitialisation

10. Écouteur 3,5 mm

11. Répéter /

Sélectionner / Volume /

défilement

12. Antenne

télescopique

Qu'y a-t-il dans la boîte

- **AZATOM®** Desire DAB Radio
- Manuel de l'Utilisateur
- Adaptateur secteur
- Carte de garantie

Commencer

Installation

Veillez lire attentivement le manuel avant d'utiliser l'appareil. Choisissez un emplacement approprié pour l'appareil. Les emplacements appropriés sont des surfaces sèches, planes et antidérapantes sur lesquelles vous pouvez utiliser l'appareil facilement.

Assurez-vous que l'appareil est bien ventilé! Si nécessaire, retirez la feuille de protection en plastique de l'écran.

Alimentation (adaptateur)

Insérez la fiche de l'adaptateur secteur dans une prise secteur correctement installée. Connectez l'appareil au connecteur en insérant la fiche dans le port de charge USB 5V / 500mA de l'appareil. Assurez-vous que la tension du réseau correspond aux chiffres sur la plaque signalétique.

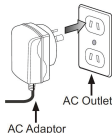
MISE EN GARDE:

Utilisez uniquement l'adaptateur secteur fourni pour cet appareil. Ne pas utiliser pour d'autres appareils.

Utilisez uniquement l'adaptateur secteur d'origine. Cet adaptateur a été spécialement conçu pour la batterie intégrée afin de charger progressivement la batterie. Tout autre adaptateur peut réduire la durée de vie de la batterie ou l'endommager ou endommager l'appareil.

REMARQUE:

Débranchez de l'alimentation secteur pendant de plus longues périodes de non-utilisation.



Utilisation de votre radio

- 1 - Déployez soigneusement l'antenne télescopique.
- 2 - Appuyez sur le bouton POWER pour allumer votre radio. L'écran affichera «Bienvenue sur la radio numérique».
- 3 - Si c'est la première fois que l'appareil passe en mode DAB, il lancera automatiquement un «balayage automatique» pour rechercher les stations disponibles.

(Une fois que le mode DAB a été utilisé auparavant, le DESIRE sélectionnera automatiquement la station précédemment lue)
- 4 - Appuyer et maintenir "SCAN" à tout moment lancera automatiquement un scan automatique. Pendant le processus de numérisation, la ligne inférieure de l'écran affiche un graphique à barres indiquant la progression du scan.
- 5 - Une fois le balayage terminé, la première station (dans l'ordre alphanumérique) sera sélectionnée. L'horloge sera automatiquement réglée sur l'heure actuelle.
- 6 - Si la liste des stations est toujours vide après le balayage, votre radio affichera "Service non disponible"
- 7 - Si aucune station n'est trouvée, assurez-vous que l'antenne est déployée et testez la réception en effectuant un autre balayage automatique dans un endroit différent.

Sélection d'une station - DAB

- 1 - La ligne supérieure de l'écran affiche le nom de la station actuellement sélectionnée.
- 2 - Appuyez sur le bouton Tuning + / Tuning- pour sélectionner la liste des stations disponibles sur la ligne inférieure de l'écran, puis appuyez sur le bouton SELECT pour confirmer la station souhaitée.

Trouver de nouvelles stations de radio - DAB

Avec le temps, de nouvelles stations pourraient devenir disponibles. Pour trouver de nouvelles stations, vous pouvez effectuer un balayage automatique comme suit.

- 1 - Appuyez sur Tuning + / Tuning-, l'écran affiche «Auto Scan Now».
- 2 - Cliquez sur Tuning + / Tuning- jusqu'à ce que l'écran affiche «scan».
- 3 - Appuyez sur "SCAN" pour le balayage automatique. L'écran affichera «Scanning ...» et votre radio effectuera un balayage des canaux DAB Band III. Au fur et à mesure que de nouvelles stations de radio sont trouvées, le compteur de stations sur le côté droit de l'écran augmentera et les stations de radio seront ajoutées à la liste stockée dans la radio.

Services secondaires - DAB

- 1 - Certaines stations de radio ont des services secondaires supplémentaires qui leur sont associés. Si une station de radio est associée à un service secondaire, l'écran affiche «>>» à côté du nom de la station dans la liste des stations. Le service secondaire apparaîtra immédiatement après les services primaires lorsque vous appuyez sur le bouton Tuning + / Tuning-
- 2 - Cliquez sur SELECT pour sélectionner la station
- 3 - Lorsque le service secondaire s'arrête, votre radio revient automatiquement à la station de radio principale si elle est disponible.

Numérisation automatique - DAB

Au lieu de cliquer sur le bouton de menu pour sélectionner une station, votre radio peut être réglée de manière à sélectionner automatiquement une station.

- 1 - Appuyez sur le bouton MENU et Tuning + / Tuning- jusqu'à ce que vous trouviez «Settings».
- 2 - Appuyez sur Tuning + / Tuning- jusqu'à ce que «Auto Scan On» s'affiche à l'écran.
- 3 - Appuyez sur Tuning + / Tuning- jusqu'à ce que "YES" soit mis en surbrillance. Appuyez sur SELECT pour confirmer la sélection.

Lors du réglage de votre radio, il sélectionne désormais automatiquement une station dans la liste des stations.

- 4 - Si vous ne souhaitez pas utiliser la fonction Auto Scan On, appuyez sur Tuning + / Tuning- jusqu'à ce que «NO» soit en surbrillance. La radio nécessite un clic pour choisir une station dans la liste des stations.

Réglage manuel - DAB

Le réglage manuel vous permet de régler la radio sur les différents canaux DAB Band III.

Les stations UK DAB sont situées dans la plage 11B à 12D.

- 1 - Appuyez sur MENU et Tuning + / Tuning- jusqu'à ce que l'écran affiche «Manual Scan», appuyez sur SELECT pour accéder au menu Services.
- 2 - Appuyez sur Tuning + / Tuning- pour mettre en surbrillance la chaîne souhaitée.
- 3 - Appuyez sur MENU, le graphique indiquera la force du signal et la ligne supérieure affichera le nom du multiplex DAB (groupe de stations radio). Toutes les stations trouvées seront ajoutées à la liste enregistrée dans la radio.
- 4 - Appuyez sur MENU pour revenir au mode d'accord normal.

Contrôle de plage dynamique - DAB

Le contrôle de la plage dynamique (également appelé DRC) peut rendre les sons plus silencieux plus faciles à entendre lorsque votre radio est utilisée dans un environnement bruyant.

- 1 - Appuyez sur le bouton POWER pour allumer votre radio.
- 2 - Appuyez sur MENU et Tuning + / Tuning- jusqu'à ce que l'écran affiche «DRC». Appuyez sur SELECT pour accéder au menu des paramètres.
- 3 - Appuyez sur Tuning + / Tuning- jusqu'à ce que «DRC» soit mis en surbrillance.
- 4 - Appuyez sur SELECT pour accéder au mode de réglage.
- 5 - Appuyez sur Tuning + / Tuning- pour sélectionner le paramètre DRC requis (la valeur par défaut est 0).

DRC OFF - DRC est désactivé, Broadcast DRC sera ignoré.

DRC LOW - Le niveau DRC est réglé sur 1/2 par rapport à celui envoyé par le diffuseur.

DRC HIGH - Le niveau DRC est utilisé tel qu'il est envoyé par le diffuseur.

6. Appuyez sur MENU pour confirmer le réglage. L'affichage revient à l'affichage précédent.

Remarque: toutes les émissions DAB ne peuvent pas utiliser la fonction DRC. Si la diffusion ne prend pas en charge DRC, le paramètre DRC de la radio n'aura aucun effet.

Recherche automatique - FM

- 1 - Déployez soigneusement l'antenne télescopique à fond et appuyez sur le bouton POWER pour allumer votre radio.
- 2 - Appuyez sur MODE pour passer en mode FM.
- 3 - Appuyez sur le bouton Tuning + et maintenez-le enfoncé pendant 2 secondes, votre radio recherchera et s'arrêtera automatiquement lorsqu'elle trouvera une station suffisamment puissante.
- 4 - Après quelques secondes, l'affichage se mettra à jour. L'écran affichera la fréquence du signal trouvé. Si le signal est suffisamment fort et que des données RDS sont présentes, la radio affichera le nom de la station.
- 5 - Pour trouver d'autres stations, maintenez la touche Tuning + enfoncée comme précédemment.
- 6 - Pour balayer la bande FM dans la direction opposée (haute fréquence à basse fréquence), appuyez sur le bouton Tuning et maintenez-le enfoncé pendant 2 secondes.
- 7 - Lorsque la fin de la bande de fréquences est atteinte, votre radio recommencera le réglage à partir de la fin de la bande de fréquences opposée.

Syntonisation manuelle - FM

- 1 - Déployez soigneusement l'antenne télescopique à fond et appuyez sur le bouton POWER pour allumer votre radio.
- 2 - Sélectionnez le mode FM comme décrit précédemment si nécessaire.
- 3 - Appuyez sur Tuning + / Tuning- pour syntoniser une station. À chaque pression de l'accord - / +, la fréquence augmente ou diminue de 50 kHz.
- 4 - Lorsque la fin de la bande de fréquences est atteinte, la radio recommence le réglage à partir de l'extrémité de la bande de fréquences opposée.

Stations préréglées - FM et DAB

Vous pouvez enregistrer vos stations de radio DAB et FM préférées dans les mémoires de stations préréglées. Votre radio contient 60 préréglages de mémoire, 30 pour DAB et 30 pour FM. Votre radio mémorise les préréglages en cas de panne de courant. La procédure pour régler les présélections et les utiliser pour syntoniser les stations est la même pour FM et

Modes DAB:

- 1 - Appuyez sur le bouton POWER pour allumer la radio.
- 2 - Sélectionnez la gamme d'ondes souhaitée.
- 3 - Syntonisez la station requise comme décrit précédemment.
- 4 - Appuyez sur la touche PRESET et maintenez-la enfoncée pour accéder à la mémoire prédéfinie, puis appuyez sur pour sélectionner le numéro de présélection souhaité que vous souhaitez mémoriser. Appuyez sur SELECT pour confirmer.
- 5 - Appuyez sur SELECT pour confirmer, par exemple, "Preset 01 stocké". La station sera stockée sous le préréglage choisi. Répétez cette procédure si nécessaire.
- 6 - Les stations qui ont été stockées dans des mémoires préréglées peuvent être écrasées en suivant la procédure ci-dessus.

Rappel des préréglages

- 1 - Appuyez sur le bouton POWER pour allumer la radio.
- 2 - Appuyez sur PRESET, puis l'écran affichera «Preset Recall» puis appuyez sur SELECT pour syntoniser la station stockée dans la mémoire de présélection.

Remarque: Si vous n'avez pas précédemment mémorisé une station préréglée et que le bouton de préréglage est enfoncé, «Empty preset» s'affiche.

Réglage de la luminosité

La luminosité de l'écran peut être ajustée sur votre radio

- 1 - Appuyez sur MENU et Tuning + / Tuning- jusqu'à ce que «Set Brightness» s'affiche à l'écran.
- 2 - Appuyez sur SELECT pour entrer en mode de réglage.
- 3 - Appuyez sur Tuning + / Tuning- pour régler le niveau de luminosité (entre Élevé, Moyen et Veille faible). L'indication du niveau de luminosité sur l'écran change en même temps. Lorsque vous trouvez le paramètre qui vous donne la meilleure lisibilité pour l'emplacement dans lequel la radio est utilisée, appuyez sur SELECT pour enregistrer le paramètre.

Fonction sommeil

Votre radio peut être réglée pour s'éteindre une fois le temps prédéfini écoulé. Le réglage du sommeil peut être réglé entre 15 et 90 minutes. Assurez-vous que votre radio est allumée.

- 1 - Appuyez sur MENU et Tuning + / Tuning- jusqu'à ce que «Set Sleep time» soit mis en surbrillance sur l'écran.
- 2 - Appuyez sur SELECT pour entrer en mode de réglage.
- 3 - Appuyez sur Tuning + / Tuning- pour régler la durée de sommeil souhaitée entre 15, 30, 45, 60, 75 et 90 minutes ou Sleep Off qui annulera la fonction de sommeil.
- 4 - Appuyez sur SELECT pour confirmer le réglage. L'indicateur de minuterie de mise en veille " " apparaît sur l'affichage. Votre radio s'éteindra une fois le temps de veille prédéfini écoulé.

Réglage du rétroéclairage

- 1 - Appuyez sur MENU et Tuning + / Tuning- jusqu'à ce que «Backlight Auto» soit en surbrillance sur l'écran.
- 2 - Appuyez sur Tuning + / Tuning- jusqu'à ce que «NO» soit mis en surbrillance. Appuyez sur SELECT pour confirmer la sélection. Le rétroéclairage ne diminuera jamais. Si vous sélectionnez «OUI», l'écran LCD diminuera de 1/4 après 20 secondes et de 1/2 après 2 minutes.

Réglage heure / date

En l'absence de signal DAB / FM, vous devez régler l'heure et la date manuellement.

- 1 - Appuyez sur MENU pour accéder au menu des paramètres.
- 2 - Appuyez sur Tuning + / Tuning- jusqu'à «Settings», appuyez sur SELECT pour entrer.
- 3 - Appuyez sur Tuning + / Tuning- jusqu'à "Set Time / Date", appuyez sur SELECT pour valider. Ou Tuning + / Tuning- pour régler l'heure sur AUTO UPDATE, 12/24 heures, et mettre également à jour le format de la date.
- 4 - Appuyez sur Tuning + / Tuning- et SELECT pour régler l'heure et la date correctes.

Réglage de l'alarme

REMARQUE: VEUILLEZ SÉLECTIONNER UNE STATION RADIO AVANT DE RÉGLER L'ALARME.

Vous aurez la possibilité de choisir entre la dernière station utilisée ou l'un de vos canaux pré-réglés préférés.

- 1 - Appuyez sur ALARM pour accéder au menu de réglage, appuyez à nouveau sur ALARM pour choisir ALARM 1 ou ALARM 2.
- 2 - Appuyez sur Tuning + / Tuning- pour régler l'heure de l'alarme et appuyez sur SELECT pour confirmer.
- 3 - Appuyez sur Tuning + / Tuning- pour régler la durée 15, 30, 45, 60, 90 minutes et appuyez sur SELECT pour confirmer.
- 4 - Appuyez sur Tuning + / Tuning- pour régler la source d'alarme et appuyez sur SELECT pour confirmer.
- 5 - Appuyez sur Tuning + / Tuning- pour régler une fois / tous les jours / jours de semaine / week-ends, choisissez les jours où l'alarme est active.
- 6 - Appuyez sur Tuning + / Tuning- pour régler le volume de l'alarme et appuyez sur SELECT pour confirmer.
- 7 - Appuyez sur Tuning + / Tuning- pour enregistrer le réglage de l'alarme.

Répéter - Arrêter l'alarme

1 - Lorsque l'alarme retentit, appuyez sur le bouton **SELECT** pour arrêter temporairement l'alarme, vous pouvez choisir la durée entre 5, 10, 15, 20, 25, 30 minutes et répéter.

2 - La fonction snooze a également un compte à rebours vous permettant de voir combien de temps avant que l'alarme ne retentisse.

3 - Lorsque vous choisissez **SNOOZE OFF**, la radio revient en mode veille, affichant l'heure et la date. Appuyez sur **POWER** pour l'allumer.

Arrêter l'alarme

Lorsque l'alarme sonne, vous pouvez appuyer sur n'importe quel bouton à l'exception du bouton Snooze une fois pour arrêter le son de l'alarme. La radio Desire retournera alors en mode veille.

AUX-IN

Le mode Aux-in lit l'audio à partir d'une source externe telle qu'un smartphone ou une tablette.

1. Branchez l'extrémité d'un câble audio 3,5 mm (non inclus) dans la prise casque ou de sortie de ligne de votre Desire, branchez l'autre extrémité du câble dans la prise **AUX-IN** de l'unité à l'arrière du Desire.

2. Allumez la source audio externe et écoutez votre appareil.

3. Appuyez sur le bouton **MODE** pour passer en mode «Entrée auxiliaire».

4. Le niveau de volume peut maintenant être contrôlé via l'unité principale. Utilisez toutes les autres fonctions de l'appareil externe comme d'habitude.

Remarques:

Si vous êtes connecté à la prise de sortie de ligne de votre appareil externe, il vous suffit de régler le contrôle du volume de cet appareil. Si vous êtes connecté à la prise casque de votre appareil externe, vous devrez peut-être régler à la fois le contrôle du volume de votre appareil externe et le contrôle du volume de cet appareil pour trouver le réglage de volume le plus souhaitable.

Veillez vous assurer que le câble est déconnecté pour écouter le **DESIRE** dans d'autres modes tels que **DAB** et **FM**.

FM stéréo / mono (écouteurs uniquement)

Si une station reçue est faible, une distorsion peut être audible (en particulier lors de l'écoute avec des écouteurs).

- 1 - Appuyez sur le bouton MENU et maintenez-le enfoncé, «Paramètres» est mis en surbrillance. Appuyez sur SELECT pour accéder à cette fonction.
- 2 - Appuyez sur Tuning + / Tuning- jusqu'à ce que l'écran affiche «Audio setting» puis appuyez sur SELECT.
- 3 - Appuyez sur Tuning + / Tuning- jusqu'à ce que «Forced mono» s'affiche. Appuyez sur SELECT pour sélectionner mono. Votre radio sélectionnera le mode audio mono.
- 4 - Pour revenir au mode stéréo, appuyez sur Tuning + / Tuning- jusqu'à ce que l'écran affiche «Audio setting» puis appuyez sur SELECT.
- 5 - Appuyez sur Tuning + / Tuning- jusqu'à ce que «Stéréo autorisé» s'affiche. Appuyez sur SELECT, votre radio passera en mode stéréo.

Remarque: L'écoute stéréo n'est disponible que lors de l'écoute via des écouteurs.

Écouteurs (NON INCLUS)

Le cordon reliant les écouteurs à votre radio agit comme une antenne lorsqu'il est branché sur la prise écouteurs.

- 1 - Branchez les écouteurs dans la prise écouteurs sur le côté de votre radio.
- 2 - Vérifiez que le niveau de volume n'est pas trop élevé avant de placer les écouteurs dans vos oreilles.

IMPORTANT: N'allumez pas la radio avec les écouteurs connectés et insérés dans votre oreille. Une pression acoustique excessive des écouteurs peut entraîner une perte auditive.

Langues

- 1 - Appuyez sur le bouton MENU et maintenez-le enfoncé, «Paramètres» est mis en surbrillance. Appuyez sur SELECT pour entrer les paramètres.
- 2 - Faites défiler le menu des paramètres pour trouver les options de langue.
- 3 - Sélectionnez la langue souhaitée: anglais, allemand, français ou italien.

Spécifications techniques

Alimentation requise: AC 100-240V 50 / 60Hz DC 5V 500mA

Batterie rechargeable au lithium: 3,7 V, 1800 mAh

Autonomie de la batterie à pleine charge

Jusqu'à 15 heures d'utilisation du haut-parleur pendant 4 heures par jour à volume normal.

Jusqu'à 18 heures d'utilisation d'écouteurs pendant 4 heures par jour à volume normal.

Couverture de fréquence

FM: 87,5-108 MHz

DAB: 174,928 - 239,200 MHz

Caractéristiques du circuit:

Haut-parleur: 3,0 pouces

Puissance de sortie: 3W (haut-parleur)

Prise écouteurs: 3,5 mm de diamètre. stéréo

Système aérien:

FM: antenne télescopique

DAB: antenne télescopique

Retour aux paramètres d'usine

Si votre radio ne fonctionne pas correctement, ou si certains chiffres de l'affichage sont manquants ou incomplets, il peut être possible de rétablir un fonctionnement normal en effectuant une opération de réinitialisation du système sur votre radio. Cela rétablira les paramètres par défaut de la radio. Aucun préréglage ne sera enregistré et la liste des stations de radio DAB sera vide.

Si vous avez déménagé dans une autre partie du pays et que vous souhaitez supprimer les stations de radio DAB locales qui ne sont plus disponibles dans la liste enregistrée, vous pouvez effectuer cette procédure. Votre radio recherchera automatiquement les stations DAB disponibles à votre emplacement actuel au redémarrage.

1 - Appuyez sur MENU pour accéder au menu.

2 - Appuyez sur Tuning + / Tuning- jusqu'à ce que l'écran affiche «Settings», puis appuyez sur SELECT pour accéder au menu des paramètres.

3 - Appuyez sur Tuning + / Tuning- jusqu'à ce que l'écran affiche «Factory Reset». Appuyez sur SELECT.

4 - Si vous souhaitez effectuer la réinitialisation, appuyez sur Tuning + / Tuning- jusqu'à ce que «YES» soit en surbrillance sur l'écran et appuyez sur. Une réinitialisation complète de votre radio sera effectuée, tous les présélections et listes de stations seront effacés.

Si vous ne souhaitez pas réinitialiser votre radio, appuyez sur Tuning + / Tuning- jusqu'à ce que «NO» soit en surbrillance. Votre radio reviendra au menu précédent.

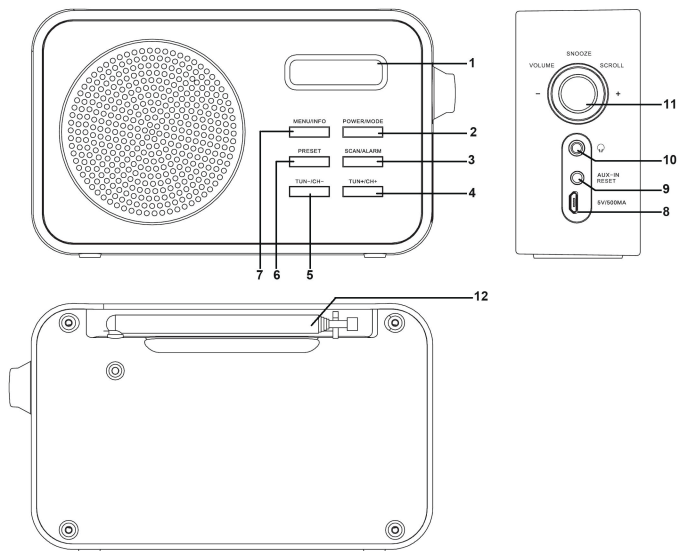
5 - Après une réinitialisation du système, un balayage de la bande DAB sera effectué.

En cas de dysfonctionnement dû à une décharge électrostatique, réinitialisez le produit (une déconnexion temporaire de l'adaptateur secteur peut être nécessaire) pour reprendre le fonctionnement normal.



ITALIANO

Controlli e interfaccia



1. Display

2. Potenza / Modalità

(Premere rapidamente per accendere la radio, tenere premuto per spegnere la radio.)

3. Scansione / Allarme

4. CH + / TUN +

5. CH- / TUN-

6. Preselezioni

7. Menu / Informazioni

8. DC Power IN

9. Porta AUX / Reset

10. Auricolare da 3,5 mm

**11. Posticipa /
Seleziona / Volume /
Scorri**

**12. Antenna
telescopica**

Cosa c'è nella scatola

- **AZATOM® Desire DAB Radio**
- **Manuale d'uso**
- **Adattatore di alimentazione**
- **Certificato di garanzia**

Iniziare

Installazione

Leggere attentamente il manuale prima di utilizzare il dispositivo!

Scegli una posizione adatta per il dispositivo. Le posizioni adatte sono superfici asciutte, uniformi e antiscivolo su cui è possibile utilizzare facilmente il dispositivo.

Assicurarsi che vi sia una ventilazione adeguata per il dispositivo! Se necessario, rimuovere il foglio di plastica protettivo dal display.

Alimentatore (adattatore)

Inserire la spina dell'adattatore di rete in una presa CA installata correttamente.

Collegare il dispositivo con il connettore inserendo la spina nella porta di ricarica USB 5 V / 500 mA del dispositivo. Assicurarsi che la tensione di rete corrisponda alle cifre sulla targhetta dei dati tecnici.

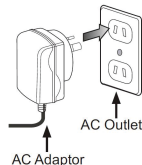
ATTENZIONE:

Utilizzare solo l'alimentatore in dotazione per questo dispositivo.
Non utilizzare per altri dispositivi.

Utilizzare solo l'adattatore CA originale. Questo adattatore è stato appositamente progettato per la batteria integrata al fine di caricare gradualmente la batteria. Qualsiasi altro adattatore può ridurre la durata della batteria o danneggiarlo o il dispositivo.

NOTA:

Scollegare dall'alimentazione di rete durante periodi di inutilizzo prolungati.



Utilizzare la radio

1 - Estendere con attenzione l'antenna telescopica.

2 - Premere il tasto POWER per accendere la radio. Il display mostrerà "Benvenuti nella radio digitale".

3 - Se questa è la prima volta che l'unità entra in modalità DAB, avvia automaticamente una "Scansione automatica" per cercare le stazioni disponibili.

(Una volta che la modalità DAB è stata utilizzata in precedenza, DESIRE selezionerà automaticamente la stazione precedentemente riprodotta)

4 - Tenendo premuto "SCAN" in qualsiasi momento si avvia automaticamente una scansione automatica. Durante il processo di scansione, la riga inferiore del display mostra un grafico a barre che indica l'avanzamento della scansione.

5 - Al termine della scansione verrà selezionata la prima stazione (in ordine alfanumerico). L'orologio si imposterà automaticamente sull'ora corrente.

6 - Se l'elenco delle stazioni è ancora vuoto dopo la scansione, verrà visualizzata la radio

"Servizio non disponibile"

7 - Se non viene trovata alcuna stazione, assicurarsi che l'antenna sia estesa e testare la ricezione eseguendo un'altra scansione automatica in una posizione diversa.

Selezione di una stazione - DAB

1 - La riga superiore del display mostra il nome della stazione attualmente selezionata.

2 - Premere il tasto Tuning + / Tuning- per selezionare l'elenco delle stazioni disponibili sulla riga inferiore del display e premere il tasto SELECT per confermare la stazione desiderata.

Trovare nuove stazioni radio - DAB

Nel tempo potrebbero diventare disponibili nuove stazioni. Per trovare nuove stazioni è possibile eseguire la scansione automatica come segue.

- 1 - Premere Tuning + / Tuning-, il display mostrerà "Auto Scan Now".
- 2 - Fare clic su Tuning + / Tuning- fino a quando sul display non viene visualizzato "scan".
- 3 - Premere "SCAN" per la scansione automatica. Il display mostrerà "Scansione ..." e la radio eseguirà una scansione dei canali DAB della banda III. Quando vengono trovate nuove stazioni radio, il contatore delle stazioni sul lato destro del display aumenterà e le stazioni radio verranno aggiunte all'elenco memorizzato nella radio.

Servizi secondari - DAB

- 1 - Ad alcune stazioni radio sono associati servizi secondari aggiuntivi. Se a una stazione radio è associato un servizio secondario, il display mostrerà ">>" accanto al nome della stazione nell'elenco delle stazioni. Il servizio secondario verrà quindi visualizzato immediatamente dopo i servizi primari mentre si preme Tuning + / Tuning-
- 2 - Fare clic con SELEZIONA per selezionare la stazione
- 3 - Quando il servizio secondario si spegne, la radio tornerà automaticamente alla stazione radio principale, se disponibile.

Scansione automatica - DAB

In alternativa al clic sul pulsante menu per selezionare una stazione, la radio può essere impostata in modo da selezionare automaticamente una stazione.

- 1 - Premere il pulsante MENU e Tuning + / Tuning- fino a trovare "Impostazioni".
- 2 - Premere Tuning + / Tuning- fino a quando "Auto Scan On" appare sul display.
- 3 - Premere Tuning + / Tuning- fino a evidenziare "YES". Premere SELEZIONA per confermare la selezione.

Quando si sintonizza la radio, ora selezionerà automaticamente una stazione dall'elenco delle stazioni.

- 4 - Se non si desidera utilizzare la funzione Auto Scan On, premere Tuning + / Tuning- fino a evidenziare "NO". La radio richiederà un clic per scegliere una stazione dall'elenco delle stazioni.

Sintonia manuale - DAB

La sintonizzazione manuale consente di sintonizzare la radio sui vari canali DAB Band III. Le stazioni DAB del Regno Unito si trovano nell'intervallo da 11B a 12D.

- 1 - Premere MENU e Tuning + / Tuning- fino a quando sul display non viene visualizzato "Scansione manuale", premere SELEZIONA per accedere al menu Servizi.
- 2 - Premere Tuning + / Tuning- per evidenziare il canale desiderato.
- 3 - Premere MENU, il grafico indicherà la potenza del segnale e la riga superiore mostrerà il nome del multiplex DAB (gruppo di stazioni radio). Qualsiasi stazione trovata verrà aggiunta all'elenco memorizzato nella radio.
- 4 - Premere MENU per tornare alla normale modalità di sintonizzazione.

Controllo della gamma dinamica - DAB

Il controllo della gamma dinamica (noto anche come DRC) può rendere i suoni più silenziosi più facili da ascoltare quando la radio viene utilizzata in un ambiente rumoroso.

- 1 - Premere il tasto POWER per accendere la radio.
- 2 - Premere MENU e Tuning + / Tuning- fino a quando sul display non viene visualizzato "DRC". Premere SELEZIONA per accedere al menu delle impostazioni.
- 3 - Premere Tuning + / Tuning- fino a quando viene evidenziato "DRC".
- 4 - Premere SELEZIONA per accedere alla modalità di regolazione.
- 5 - Premere Tuning + / Tuning- per selezionare l'impostazione DRC richiesta (il valore predefinito è 0).

DRC OFF - DRC è disattivato, la trasmissione DRC verrà ignorata.

DRC LOW - Il livello DRC è impostato su 1/2 di quello inviato dall'emittente.

DRC HIGH - Il livello DRC viene utilizzato come inviato dall'emittente.

6. Premere MENU per confermare l'impostazione. Il display tornerà al display precedente.

Nota: non tutte le trasmissioni DAB sono in grado di utilizzare la funzione DRC. Se la trasmissione non supporta DRC, l'impostazione DRC nella radio non avrà alcun effetto.

Sintonia ricerca automatica - FM

- 1 - Estendere con attenzione l'antenna telescopica fino in fondo e premere il pulsante POWER per accendere la radio.
- 2 - Premere MODE per accedere alla modalità FM.
- 3 - Premere il tasto Tuning + e tenere premuto per 2 secondi, la radio eseguirà la scansione e si arresterà automaticamente quando trova una stazione sufficientemente potente.
- 4 - Dopo alcuni secondi il display si aggiornerà. Il display mostrerà la frequenza del segnale trovato. Se il segnale è abbastanza forte e sono presenti dati RDS, la radio visualizzerà il nome della stazione.
- 5 - Per trovare altre stazioni, tenere premuto il tasto Tuning + come prima.
- 6 - Per scansionare la banda FM nella direzione opposta (da alta frequenza a bassa frequenza) premere il pulsante Tuning e tenerlo premuto per 2 secondi.
- 7 - Quando viene raggiunta la fine della banda d'onda, la radio riprenderà a sintonizzarsi dalla fine della banda d'onda opposta.

Sintonizzazione manuale - FM

- 1 - Estendere con attenzione l'antenna telescopica fino in fondo e premere il pulsante POWER per accendere la radio.
- 2 - Selezionare la modalità FM come precedentemente descritto, se necessario.
- 3 - Premere Sintonizzazione + / Sintonizzazione- per sintonizzarsi su una stazione. Ad ogni pressione dell'accordatura - / + la frequenza cambierà su o giù di 50 kHz.
- 4 - Quando viene raggiunta la fine della banda d'onda, la radio riprenderà a sintonizzarsi dalla fine della banda d'onda opposta.

Stazioni preimpostate - FM e DAB

È possibile memorizzare le stazioni radio DAB e FM preferite nelle memorie delle stazioni preselezionate. Ci sono 60 preselezioni di memoria nella radio, 30 per DAB e 30 per FM. Le preselezioni vengono ricordate dalla radio in caso di mancanza di corrente. La procedura per impostare i preset e usarli per sintonizzare le stazioni è la stessa per FM e

Modalità DAB:

- 1 - Premere il pulsante POWER per accendere la radio.
- 2 - Selezionare la banda d'onda desiderata.
- 3 - Sintonizzarsi sulla stazione richiesta come precedentemente descritto.
- 4 - Premere il tasto PRESET e tenerlo premuto per accedere alla memoria preimpostata, quindi premere per selezionare il numero di preselezione desiderato in cui si desidera memorizzare la stazione. Premere SELEZIONA per confermare.
- 5 - Premere SELEZIONA per confermare, ad esempio, "Preselezione 01 memorizzata". La stazione verrà memorizzata nel set preselezionato. Ripetere questa procedura secondo necessità.
- 6 - Le stazioni che sono state memorizzate nelle memorie preselezionate possono essere sovrascritte seguendo la procedura sopra descritta.

Richiamo delle preselezioni

- 1 - Premere il tasto POWER per accendere la radio.
- 2 - Premere PRESET, quindi il display mostrerà "Preset Recall", quindi premere SELECT per sintonizzarsi sulla stazione memorizzata nella memoria di preselezione.

Nota: se non è stata precedentemente memorizzata una stazione preselezionata e si preme il tasto di preselezione, verrà visualizzato "Empty preset".

Impostazione della luminosità

La luminosità del display può essere regolata sulla radio

- 1 - Premere MENU e Tuning + / Tuning- fino a quando "Set Brightness" appare sul display.
- 2 - Premere SELEZIONA per accedere alla modalità di regolazione.
- 3 - Premere Tuning + / Tuning- per regolare il livello di luminosità (tra Alto, Medio e Sleep basso). L'indicazione del livello di luminosità sullo schermo cambierà contemporaneamente. Quando trovi l'impostazione che ti offre la migliore leggibilità per la posizione in cui viene utilizzata la radio, premi SELEZIONA per salvare l'impostazione.

Funzione sleep

La radio può essere impostata per spegnersi dopo che è trascorso un tempo prestabilito. L'impostazione del sonno può essere regolata tra 15 e 90 minuti. Assicurarsi che la radio sia accesa.

- 1 - Premere MENU e Tuning + / Tuning- fino a quando "Set Sleep time" non viene evidenziato sul display.
- 2 - Premere SELEZIONA per accedere alla modalità di regolazione.
- 3 - Premere Tuning + / Tuning- per impostare il tempo di sospensione desiderato tra 15, 30,45, 60,75 e 90 minuti o Sleep Off che annullerà la funzione di sospensione.
- 4 - Premere SELEZIONA per confermare l'impostazione. L'indicatore del timer di spegnimento " " apparirà sul display. La radio si spegnerà dopo che è trascorso il tempo di inattività preimpostato.

Impostazione della retroilluminazione

- 1 - Premere MENU e Tuning + / Tuning- fino a quando "Backlight Auto" non viene evidenziato sul display.
- 2 - Premere Tuning + / Tuning- fino a quando viene evidenziato "NO". Premere SELEZIONA per confermare la selezione. La retroilluminazione non si attenua mai. Se si seleziona "Sì", il display LCD si oscura di 1/4 dopo 20 secondi e si oscura di 1/2 dopo 2 minuti.

Impostazione data / ora

In assenza di segnale DAB / FM, è necessario impostare manualmente TIME e DATE.

- 1 - Premere MENU per accedere al menu delle impostazioni.
- 2 - Premere Tuning + / Tuning- fino a "Impostazioni", premere SELEZIONA per accedere.
- 3 - Premere Tuning + / Tuning- fino a "Set Time / Date", premere SELECT per accedere. Oppure Sintonizzazione + / Sintonizzazione- per impostare l'ora su AGGIORNAMENTO AUTOMATICO, 12/24 ore e aggiornare anche il formato della data.
- 4 - Premere Tuning + / Tuning- e SELECT per impostare l'ora e la data corrette.

Impostazione allarme

NOTA: SELEZIONARE UNA STAZIONE RADIO PRIMA DI IMPOSTARE L'ALLARME.

Ti verrà data la possibilità di scegliere tra l'ultima stazione utilizzata o una delle tue preferite canali preimpostati.

- 1 - Premere ALARM per accedere al menu di impostazione, premere nuovamente ALARM per selezionare ALARM 1 o ALARM 2.
- 2 - Premere Tuning + / Tuning- per impostare l'ora della sveglia e premere SELECT per confermare.
- 3 - Premere Tuning + / Tuning- per impostare la durata 15, 30, 45, 60, 90 minuti e premere SELEZIONA per confermare.
- 4 - Premere Tuning + / Tuning- per impostare la sorgente di allarme e premere SELECT per confermare.
- 5 - Premere Tuning + / Tuning- per impostare Once / Daily / Weekdays / Weekends, selezionare i giorni in cui la sveglia è attiva.
- 6 - Premere Tuning + / Tuning- per impostare il volume della sveglia e premere SELECT per confermare.
- 7 - Premere Tuning + / Tuning- per salvare l'impostazione dell'allarme.

Posticipa: interrompe l'allarme

1 - Quando suona la sveglia, premendo il pulsante SELEZIONA la sveglia viene temporaneamente disattivata, è possibile scegliere l'ora tra 5, 10, 15, 20, 25, 30 minuti e disattivare la suoneria.

2 - La funzione snooze ha anche un conto alla rovescia che consente di vedere quanto tempo prima che la sveglia suoni nuovamente.

3 - Quando si sceglie SNOOZE OFF, la radio torna in modalità standby, mostrando l'ora e la data. Premere POWER per accenderlo.

Ferma allarme

Quando la sveglia suona, è possibile premere una volta qualsiasi pulsante tranne il pulsante Posticipa per interrompere il suono della sveglia. Desire Radio tornerà quindi in modalità Standby.

AUX-IN

La modalità Aux-in riproduce l'audio da una fonte esterna come uno smartphone o un tablet.

1. Collega l'estremità di un cavo audio da 3,5 mm (non incluso) alla cuffia o alla presa di uscita del tuo desiderio, collega l'altra estremità del cavo alla presa AUX-IN dell'unità sul retro del desiderio.

2. Attiva la sorgente audio esterna e riproduci il tuo dispositivo.

3. Premere il pulsante MODE per accedere alla modalità "Ingresso ausiliario".

4. Ora è possibile controllare il livello del volume tramite l'unità principale. Utilizzare tutte le altre funzioni sul dispositivo esterno come al solito.

Appunti:

Se sei collegato alla presa Line out del tuo dispositivo esterno, devi solo regolare il controllo del volume di questa unità. Se sei collegato alla presa per cuffie del tuo dispositivo esterno, potrebbe essere necessario regolare sia il controllo del volume del dispositivo esterno sia il controllo del volume di questa unità per trovare l'impostazione del volume più desiderabile.

Assicurarsi che il cavo sia scollegato per ascoltare DESIRE in altre modalità come DAB e FM.

FM Stereo / Mono (solo auricolari)

Se una stazione ricevuta è debole, è possibile avvertire una certa distorsione (specialmente durante l'ascolto tramite gli auricolari).

1 - Premere e tenere premuto il pulsante MENU, "Impostazioni" è evidenziato. Premere SELEZIONA per accedere a questa funzione.

2 - Premere Tuning + / Tuning- fino a quando il display mostra "Audio setting" quindi premere SELECT.

3 - Premere Tuning + / Tuning- fino a visualizzare "Forced mono". Premere SELEZIONA per selezionare mono. La radio selezionerà la modalità audio mono.

4 - Per tornare alla modalità stereo, premere Tuning + / Tuning- fino a quando il display mostra "Audio setting" quindi premere SELECT.

5 - Premere Tuning + / Tuning- fino a quando viene visualizzato "Stereo consentito". Premere SELEZIONA, la radio passerà alla modalità stereo.

Nota: l'ascolto stereo è disponibile solo quando si ascolta tramite gli auricolari.

Auricolari (NON INCLUSI)

Il cavo che collega gli auricolari alla radio funge da antenna quando è collegato alla presa per auricolari.

1 - Collegare gli auricolari nella presa per auricolari sul lato della radio.

2 - Controllare che il livello del volume non sia troppo alto prima di posizionare gli auricolari nelle orecchie.

IMPORTANTE: non accendere la radio con gli auricolari collegati e inseriti nell'orecchio. Una pressione sonora eccessiva dagli auricolari può causare la perdita dell'udito.

Le lingue

- 1 - Premere e tenere premuto il pulsante MENU, "Impostazioni" è evidenziato.
Premere SELEZIONA per accedere alle impostazioni.
- 2 - Scorri il menu delle impostazioni per trovare le opzioni della lingua.
- 3 - Seleziona la lingua desiderata: inglese, tedesco, francese o italiano.

Specifiche tecniche

Alimentazione richiesta: CA 100-240 V 50 / 60Hz CC 5 V 500 mA

Batteria ricaricabile al litio: 3,7 V, 1800 mAh

Durata della batteria carica completa

Fino a 15 ore utilizzando l'altoparlante per 4 ore al giorno a volume normale.

Fino a 18 ore utilizzando gli auricolari per 4 ore al giorno a volume normale.

Copertura di frequenza

FM: 87,5-108 MHz

DAB: 174.928 - 239.200 MHz

Caratteristiche del circuito:

Altoparlante: 3,0 pollici

Potenza di uscita: 3 W (altoparlante)

Presa per auricolari: 3,5 mm di diametro stereo

Sistema aereo:

FM: antenna telescopica

DAB: antenna telescopica

Ripristino delle impostazioni di fabbrica

Se la radio non funziona correttamente o alcune cifre sul display mancano o sono incomplete, potrebbe essere possibile ripristinare il normale funzionamento eseguendo un'operazione di ripristino del sistema sulla radio. Ciò ripristinerà le impostazioni della radio ai valori predefiniti di fabbrica. Non verrà memorizzata alcuna preselezione e l'elenco delle stazioni radio DAB sarà vuoto.

Se ti sei trasferito in un'altra parte del paese e desideri cancellare le stazioni radio DAB locali che non sono più disponibili dall'elenco memorizzato, puoi eseguire questa procedura. La radio eseguirà nuovamente la scansione delle stazioni DAB disponibili nella posizione corrente al riavvio.

1 - Premere MENU per accedere al menu.

2 - Premere Tuning + / Tuning- fino a quando sul display non viene visualizzato "Impostazioni", quindi premere SELEZIONA per accedere al menu delle impostazioni.

3 - Premere Tuning + / Tuning- fino a quando sul display non viene visualizzato "Factory Reset". Premere il tasto SELEZIONA.

4 - Se si desidera eseguire l'operazione di ripristino, premere Tuning + / Tuning- fino a quando "YES" è evidenziato sul display e premere. Verrà eseguito un ripristino completo della radio, tutte le preselezioni e gli elenchi delle stazioni verranno cancellati.

Se non si desidera ripristinare la radio, premere Sintonizzazione + / Sintonizzazione- fino a quando viene evidenziato "NO". La radio tornerà al menu precedente.

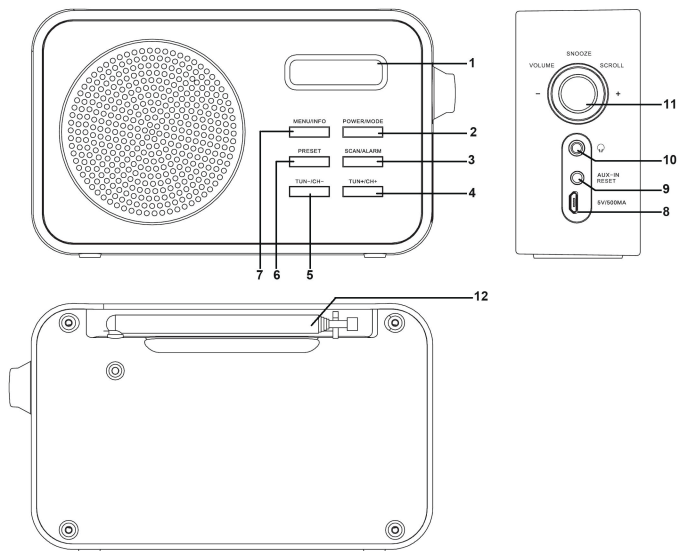
5 - Dopo un reset del sistema verrà eseguita una scansione della banda DAB.

In caso di malfunzionamento dovuto a scariche elettrostatiche, ripristinare il prodotto (potrebbe essere necessario scollegare temporaneamente l'alimentatore) per riprendere il normale funzionamento.



ESPAÑOL

Controles e interfaz



1. Pantalla

2. Potencia / modo
(Presione rápidamente para encender la radio, presione y mantenga presionado para apagar la radio).

3. Escaneo / alarma

4. CH + / TUN +

5. CH- / TUN-

6. Preselecciones

7. Menú / Información

8. DC Power IN

9. AUX / puerto de reinicio

10. auriculares de 3.5 mm

11. Posponer / Seleccionar / Volumen / Desplazarse

12. Antena telescópica

Qué hay en la caja

- **AZATOM® Desire DAB Radio**
- **Manual de usuario**
- **Adaptador de corriente**
- **Tarjeta de garantía**

Empezando

Instalación

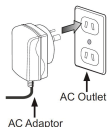
¡Lea atentamente el manual antes de utilizar el dispositivo!

Elija una ubicación adecuada para el dispositivo. Las ubicaciones adecuadas son superficies secas, uniformes y antideslizantes en las que puede operar el dispositivo fácilmente.

¡Asegúrese de que haya una ventilación adecuada para el dispositivo! Si es necesario, retire la lámina protectora de plástico de la pantalla.

Fuente de alimentación (adaptador)

Inserte el enchufe del adaptador de red en una toma de CA instalada correctamente. Conecte el dispositivo con el conector insertando el enchufe en el puerto de carga USB de 5V / 500mA del dispositivo. Asegúrese de que el voltaje de la red corresponde a las cifras en la placa de características.



PRECAUCIÓN:

Utilice únicamente el adaptador de corriente suministrado para este dispositivo. No lo use para otros dispositivos.

Utilice solo el adaptador de CA original. Este adaptador ha sido especialmente diseñado para la batería incorporada para cargar gradualmente la batería. Cualquier otro adaptador puede acortar la vida útil de la batería o dañarla o dañar el dispositivo.

NOTA:

Desconéctese de la fuente de alimentación durante períodos más largos de inactividad.

Operando su radio

- 1 - Extienda cuidadosamente la antena telescópica.
- 2 - Presione el botón de ENCENDIDO para encender su radio. La pantalla mostrará "Bienvenido a la radio digital".
- 3 - Si esta es la primera vez que la unidad entra en modo DAB, comenzará automáticamente un "Escaneo automático" para buscar las estaciones disponibles.
(Una vez que se haya usado el modo DAB anteriormente, DESIRE seleccionará automáticamente la estación reproducida anteriormente)
- 4 - Al presionar y mantener presionado "ESCANEAR" en cualquier momento, se iniciará automáticamente una exploración automática. Durante el proceso de escaneo, la línea inferior de la pantalla muestra un gráfico de barras que indica el progreso del escaneo.
- 5 - Cuando se completa el escaneo, se seleccionará la primera estación (en orden alfanumérico). El reloj se configurará automáticamente a la hora actual.
- 6 - Si la lista de estaciones sigue vacía después de la exploración, su radio mostrará "Servicio no disponible"
- 7 - Si no se encuentran estaciones, asegúrese de que la antena esté extendida y pruebe la recepción haciendo otro escaneo automático en una ubicación diferente.

Seleccionar una estación - DAB

- 1 - La línea superior de la pantalla muestra el nombre de la estación actualmente seleccionada.
- 2 - Presione el botón Tuning + / Tuning- para seleccionar la lista de estaciones disponibles en la línea inferior de la pantalla, y presione el botón SELECT para confirmar la estación deseada.

Encontrar nuevas estaciones de radio - DAB

Con el tiempo, nuevas estaciones pueden estar disponibles. Para encontrar nuevas estaciones, puede escanear automáticamente de la siguiente manera.

- 1 - Presione Tuning + / Tuning-, la pantalla mostrará "Auto Scan Now".
- 2 - Haga clic en Tuning + / Tuning- hasta que la pantalla muestre "scan".
- 3 - Presione "ESCANEAR" para escaneo automático. La pantalla mostrará "Escaneando ..." y su radio realizará una exploración de los canales DAB de la Banda III. A medida que se encuentren nuevas estaciones de radio, el contador de estaciones en el lado derecho de la pantalla aumentará y las estaciones de radio se agregarán a la lista almacenada en la radio.

Servicios secundarios - DAB

- 1 - Algunas estaciones de radio tienen servicios secundarios adicionales asociados con ellas. Si una estación de radio tiene un servicio secundario asociado, la pantalla mostrará ">>" al lado del nombre de la estación en la lista de estaciones. El servicio secundario aparecerá inmediatamente después de los servicios primarios cuando presione Tuning + / Tuning-
- 2 - Haga clic en SELECCIONAR para seleccionar la estación
- 3 - Cuando el servicio secundario se apaga, su radio cambiará automáticamente a la estación de radio principal si está disponible.

Escaneo automático - DAB

Como alternativa a hacer clic en el botón de menú para seleccionar una estación, su radio se puede configurar para seleccionar automáticamente una estación.

- 1 - Presione el botón MENÚ y Tuning + / Tuning- hasta que encuentre "Configuración".
- 2 - Presione Tuning + / Tuning- hasta que aparezca "Auto Scan On" en la pantalla.
- 3 - Presione Tuning + / Tuning- hasta que se resalte "YES". Presione SELECCIONAR para confirmar la selección.

Al sintonizar su radio, ahora seleccionará automáticamente una estación de la lista de estaciones.

- 4 - Si no desea utilizar la función Auto Scan On, presione Tuning + / Tuning- hasta que se resalte "NO". La radio requerirá un clic para elegir una estación de la lista de estaciones.

Sintonización manual - DAB

La sintonización manual le permite sintonizar la radio a los diversos canales DAB Band III. Las estaciones DAB del Reino Unido están ubicadas en el rango 11B a 12D.

- 1 - Presione MENU y Tuning + / Tuning- hasta que la pantalla muestre "Exploración manual", presione SELECT para ingresar al Menú de servicios.
- 2 - Presione Tuning + / Tuning- para resaltar el canal deseado.
- 3 - Presione MENÚ, el gráfico indicará la intensidad de la señal y la línea superior mostrará el nombre del multiplex DAB (grupo de estaciones de radio). Cualquier estación encontrada se agregará a la lista almacenada en la radio.
- 4 - Presione MENÚ para volver al modo de sintonización normal.

Control de rango dinámico - DAB

El control de rango dinámico (también conocido como DRC) puede hacer que los sonidos más silenciosos sean más fáciles de escuchar cuando su radio se usa en un entorno ruidoso.

- 1 - Presione el botón de ENCENDIDO para encender su radio.
- 2 - Presione MENU y Tuning + / Tuning- hasta que la pantalla muestre "DRC". Presione SELECCIONAR para ingresar al menú de configuración.
- 3 - Presione Tuning + / Tuning- hasta que se resalte "DRC".
- 4 - Presione SELECT para ingresar al modo de ajuste.
- 5 - Presione Tuning + / Tuning- para seleccionar la configuración DRC requerida (el valor predeterminado es 0).

DRC OFF: DRC está apagado, se ignorará la transmisión DRC.

DRC LOW: el nivel de DRC se establece en 1/2 del enviado por la emisora.

DRC HIGH: el nivel de DRC se utiliza tal como lo envía la emisora.

6. Presione MENÚ para confirmar la configuración. La pantalla volverá a la pantalla anterior.

Nota: No todas las transmisiones DAB pueden usar la función DRC. Si la transmisión no es compatible con DRC, la configuración de DRC en la radio no tendrá ningún efecto.

Sintonización de búsqueda automática - FM

- 1 - Extienda cuidadosamente la antena telescópica por completo y presione el botón de ENCENDIDO para encender su radio.
- 2 - Presione MODE para ingresar al modo FM.
- 3 - Presione el botón Tuning + y manténgalo presionado durante 2 segundos, su radio buscará y se detendrá automáticamente cuando encuentre una estación con suficiente potencia.
- 4 - Después de unos segundos, la pantalla se actualizará. La pantalla mostrará la frecuencia de la señal encontrada. Si la señal es lo suficientemente fuerte y hay datos RDS presentes, la radio mostrará el nombre de la estación.
- 5 - Para encontrar otras estaciones, mantenga presionado el botón Tuning + como antes.
- 6 - Para escanear la banda FM en la dirección opuesta (alta frecuencia a baja frecuencia) presione el botón Tuning- y manténgalo presionado durante 2 segundos.
- 7 - Cuando se llega al final de la banda, su radio reanudará la sintonización desde el extremo opuesto de la banda.

Sintonización manual - FM

- 1 - Extienda cuidadosamente la antena telescópica por completo y presione el botón de ENCENDIDO para encender su radio.
- 2 - Seleccione el modo FM como se describió anteriormente, si es necesario.
- 3 - Presione Tuning + / Tuning- para sintonizar una estación. Con cada pulsación de sintonización - / + la frecuencia cambiará hacia arriba o hacia abajo en 50 kHz.
- 4 - Cuando se alcanza el final de la banda, la radio reanudará la sintonización desde el extremo opuesto de la banda.

Estaciones preestablecidas - FM y DAB

Puede almacenar sus estaciones de radio DAB y FM preferidas en las memorias de estaciones preestablecidas. Hay 60 preajustes de memoria en su radio, 30 para DAB y 30 para FM. Su radio recuerda los preajustes en caso de una falla de energía. El procedimiento para configurar presintonías y usarlas para sintonizar estaciones es el mismo para FM y

Modos DAB:

- 1 - Presione el botón POWER para encender la radio.
- 2 - Seleccione la banda de onda deseada.
- 3 - Sintonice la estación requerida como se describió anteriormente.
- 4 - Presione el botón PRESET y manténgalo presionado para ingresar a la tienda preestablecida, y luego presione para seleccionar el número preestablecido deseado que desea almacenar la estación. Presione SELECCIONAR para confirmar.
- 5 - Presione SELECT para confirmar, por ejemplo, "Preset 01 almacenado". La estación se almacenará bajo el preajuste elegido. Repita este procedimiento según sea necesario.
- 6 - Las estaciones que se han almacenado en memorias preestablecidas pueden sobrescribirse siguiendo el procedimiento anterior.

Recordando Presets

- 1 - Presione el botón POWER para encender la radio.
- 2 - Presione PRESET, luego la pantalla mostrará "Preset Recall" y luego presione SELECT para sintonizar la estación almacenada en la memoria preestablecida.

Nota: Si no ha almacenado previamente una emisora presintonizada y se presiona el botón de presintonización, se mostrará "Preset vacío".

Ajuste de brillo

El brillo de la pantalla se puede ajustar en su radio

- 1 - Presione MENU y Tuning + / Tuning- hasta que aparezca "Set Brightness" en la pantalla.
- 2 - Presione SELECT para ingresar al modo de ajuste.
- 3 - Presione Tuning + / Tuning- para ajustar el nivel de brillo (entre High, Medium y Sleep Low). La indicación del nivel de brillo en la pantalla cambiará al mismo tiempo. Cuando encuentre la configuración que le da la mejor legibilidad para la ubicación en la que se utiliza la radio, presione SELECCIONAR para guardar la configuración.

Función del sueño

Su radio se puede configurar para que se apague después de que haya transcurrido un tiempo predeterminado. La configuración del sueño se puede ajustar entre 15 y 90 minutos. Asegúrese de que su radio esté encendida.

- 1 - Presione MENU y Tuning + / Tuning- hasta que "Set Sleep time" se resalte en la pantalla.
- 2 - Presione SELECT para ingresar al modo de ajuste.
- 3 - Presione Tuning + / Tuning- para establecer el tiempo de reposo deseado entre 15, 30, 45, 60, 75 y 90 minutos o Sleep Off, que cancelará la función de reposo.
- 4 - Presione SELECT para confirmar la configuración. El indicador del temporizador de apagado "☒" se mostrará en la pantalla. Su radio se apagará después de que haya transcurrido el tiempo de suspensión preestablecido.

Ajuste de luz de fondo

- 1 - Presione MENU y Tuning + / Tuning- hasta que se resalte "Backlight Auto" en la pantalla.
- 2 - Presione Tuning + / Tuning- hasta que se resalte "NO". Presione SELECCIONAR para confirmar la selección. La luz de fondo nunca se atenuará. Si selecciona "SÍ", la pantalla LCD se atenuará 1/4 después de 20 segundos y se atenuará 1/2 después de 2 minutos.

Ajuste de hora / fecha

Cuando no hay señal DAB / FM, debe configurar la HORA y la FECHA manualmente.

- 1 - Presione MENÚ para ingresar al menú de configuración.
- 2 - Presione Tuning + / Tuning- hasta "Settings", presione SELECT para ingresar.
- 3 - Presione Tuning + / Tuning- hasta "Set Time / Date", presione SELECT para ingresar. O Tuning + / Tuning- para configurar la hora en AUTO UPDATE, 12/24 horas, y también actualizar el formato de fecha.
- 4 - Presione Tuning + / Tuning- y SELECT para configurar la hora y fecha correctas.

Ajuste de alarma

NOTA: POR FAVOR SELECCIONE UNA ESTACIÓN DE RADIO ANTES DE CONFIGURAR LA ALARMA. Se le dará la opción de elegir entre la última estación utilizada o uno de sus canales predeterminados favoritos.

- 1 - Presione ALARM para ingresar al menú de configuración, presione ALARM nuevamente para elegir ALARM 1 o ALARM 2.
- 2 - Presione Tuning + / Tuning- para configurar la hora de la alarma y presione SELECT para confirmar.
- 3 - Presione Tuning + / Tuning- para establecer la duración 15, 30, 45, 60, 90 minutos y presione SELECT para confirmar.
- 4 - Presione Tuning + / Tuning- para configurar la fuente de alarma y presione SELECT para confirmar.
- 5 - Presione Tuning + / Tuning- para configurar Once / Daily / Weekdays / Weekends, elija los días en los que la alarma está activa.
- 6 - Presione Tuning + / Tuning- para configurar el volumen de la alarma y presione SELECT para confirmar.
- 7 - Presione Tuning + / Tuning- para guardar la configuración de la alarma.

Posponer - Detener alarma

1 - Cuando suena la alarma, al presionar el botón SELECCIONAR silenciará temporalmente la alarma, puede elegir el tiempo entre 5, 10, 15, 20, 25, 30 minutos y posponer.

2 - La función de repetición también tiene una cuenta regresiva que le permite ver cuánto tiempo antes de que vuelva a sonar la alarma.

3 - Cuando elige SNOOZE OFF, la radio vuelve al modo de espera, que muestra la hora y la fecha. Presione POWER para encenderlo.

Detener alarma

Cuando suena la alarma, puede presionar cualquier botón excepto el botón Posponer una vez para detener el sonido de la alarma. Desire Radio volverá al modo de espera.

AUX-IN

El modo de entrada auxiliar reproduce audio de una fuente externa como un teléfono inteligente o tableta.

1. Enchufe el extremo de un cable de audio de 3.5 mm (no incluido) en el conector para auriculares o de salida de línea de su Desire, conecte el otro extremo del cable en el conector AUX-IN de la unidad en la parte posterior del Desire.
2. Encienda la fuente de audio externa y reproduzca su dispositivo.
3. Presione el botón MODE para pasar al modo "Entrada auxiliar".
4. El nivel de volumen ahora se puede controlar a través de la unidad principal. Opere todas las demás funciones en el dispositivo externo como de costumbre.

Notas:

Si está conectado al conector de salida de línea de su dispositivo externo, solo necesita ajustar el control de volumen de esta unidad. Si está conectado a la toma de auriculares de su dispositivo externo, es posible que deba ajustar tanto el control de volumen de su dispositivo externo como el control de volumen de esta unidad para encontrar la configuración de volumen más deseable.

Asegúrese de que el cable esté desconectado para escuchar el DESEO en otros modos, como DAB y FM.

FM estéreo / mono (solo auriculares)

Si una estación que se recibe es débil, se puede escuchar cierta distorsión (especialmente cuando se escucha con auriculares).

- 1 - Mantenga presionado el botón MENÚ, "Configuración" se resalta. Presione SELECT para ingresar a esta función.
- 2 - Presione Tuning + / Tuning- hasta que la pantalla muestre "Configuración de audio" y luego presione SELECT.
- 3 - Presione Tuning + / Tuning- hasta que aparezca "Forced mono". Presione SELECT para seleccionar mono. Su radio seleccionará el modo de audio mono.
- 4 - Para volver al modo estéreo, presione Tuning + / Tuning- hasta que la pantalla muestre "Configuración de audio" y luego presione SELECT.
- 5 - Presione Tuning + / Tuning- hasta que aparezca "Stereo permitido". Presione SELECCIONAR, su radio cambiará al modo estéreo.

Nota: La escucha estéreo solo está disponible cuando se escucha a través de auriculares.

Auriculares (NO INCLUIDAS)

El cable que conecta los auriculares a su radio actúa como una antena cuando se conecta a la toma de auriculares.

- 1 - Enchufe los auriculares en la toma de auriculares en el costado de su radio.
- 2 - Verifique que el nivel de volumen no sea demasiado alto antes de colocar los auriculares en sus oídos.

IMPORTANTE: No encienda la radio con los auriculares conectados e insertados en su oído. La presión acústica excesiva de los auriculares puede causar pérdida auditiva.

Idiomas

- 1 - Mantenga presionado el botón MENÚ, "Configuración" se resalta.
Presione SELECCIONAR para ingresar la configuración.
- 2 - Desplácese por el menú de configuración para encontrar las opciones de idioma.
- 3 - Seleccione el idioma que necesita: inglés, alemán, francés o italiano.

Especificaciones técnicas

Requisitos de alimentación de red: CA 100-240 V 50 / 60Hz CC 5 V 500 mA
Batería recargable de litio: 3.7V, 1800mAH

Duración de la batería carga completa

Hasta 15 horas usando el altavoz durante 4 horas al día a volumen normal.

Hasta 18 horas usando auriculares durante 4 horas al día a volumen normal.

Cobertura de frecuencia

FM: 87.5-108MHz

DAB: 174.928 - 239.200MHz

Características del circuito:

Altavoz: 3.0 pulgadas

Potencia de salida: 3W (altavoz)

Toma de auriculares: 3,5 mm de diámetro. estéreo

Sistema de antena:

FM: antena telescópica

DAB: antena telescópica

Restablecimiento de fábrica

Si su radio no funciona correctamente, o faltan algunos dígitos en la pantalla o están incompletos, es posible restaurar la operación normal llevando a cabo una operación de reinicio del sistema en su radio. Esto restaurará la configuración de la radio a sus valores predeterminados de fábrica. No se almacenarán presintonías y la lista de estaciones de radio DAB estará vacía.

Si se mudó a otra parte del país y desea borrar las estaciones de radio DAB locales que ya no están disponibles en la lista almacenada, puede llevar a cabo este procedimiento. Su radio volverá a buscar automáticamente las estaciones DAB disponibles en su ubicación actual cuando se reinicie.

1 - Presione MENÚ para ingresar al menú.

2 - Presione Tuning + / Tuning- hasta que la pantalla muestre "Settings", luego presione SELECT para ingresar al menú de configuración.

3 - Presione Tuning + / Tuning- hasta que la pantalla muestre "Factory Reset". Presione el botón SELECCIONAR.

4 - Si desea realizar la operación de reinicio, presione Tuning + / Tuning- hasta que "YES" quede resaltado en la pantalla y presione. Se realizará un reinicio completo de su radio, se borrarán todos los preajustes y listas de estaciones.

Si no desea restablecer su radio, presione Tuning + / Tuning- hasta que se resalte "NO". Su radio volverá al menú anterior.

5 - Después de reiniciar el sistema, se realizará un escaneo de la banda DAB.

En caso de mal funcionamiento debido a una descarga electrostática, reinicie el producto (puede ser necesaria la desconexión temporal del adaptador de corriente) para reanudar el funcionamiento normal.



@AZATOM

**REGISTER YOUR PRODUCT ONLINE. TO LEARN MORE
& REGISTER FOR OUR AZATOM WARRANTY* PLEASE
VISIT: WWW.AZATOM.COM/WARRANTY**

AZATOM® 2020 ALL RIGHTS RESERVED. AZATOM® IS PART OF AZATOM GROUP LIMITED.
SEE SITE FOR SAFETY INFORMATION. AZATOM® RESERVE THE RIGHT TO WITHDRAW ANY AND ALL
PROMOTIONS WITHOUT NOTICE. FOR FULL WARRANTY, EXTENDED WARRANTY AND PROMOTIONAL
OFFER TERMS & CONDITIONS PLEASE VISIT WWW.AZATOM.COM/TERMS-CONDITIONS

*REGISTRATION REQUIRED