

AZATOM®

Aspire G1

DAB, DAB+, FM Retro Radio with Bluetooth



User Manual

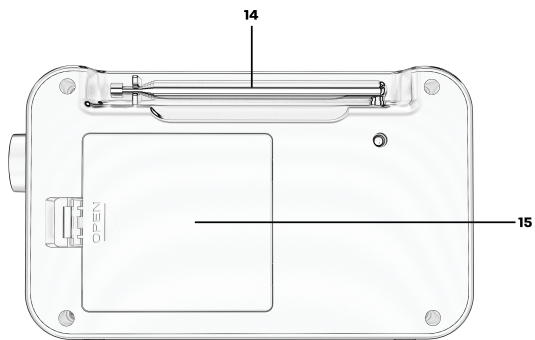
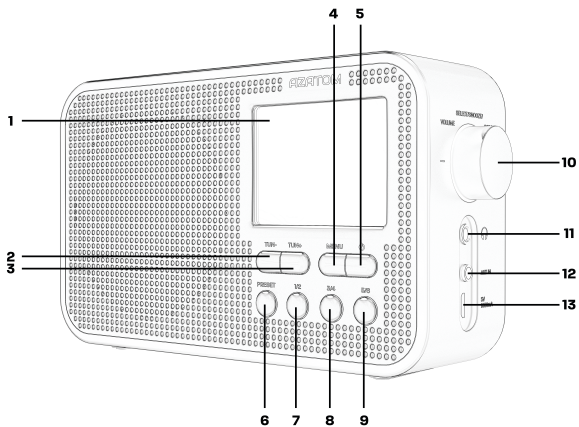
This manual is available to download online at www.azatom.com

What's in the box

- Aspire G1 DAB Radio
- User Manual
- Power Adapter
- Warranty Card

Controls & Interface

- | | |
|--------------------------------------------|-------------------------|
| 1. Colour Display | 11. Headphone Out |
| 2. TUN- | 12. Aux In |
| 3. TUN+ | 13. Charging Port |
| 4. Menu | 14. Telescopic Antenna |
| 5. Power | 15. Battery Compartment |
| 6. Preset | |
| 7. Presets 1/2 | |
| 8. Presets 3/4 | |
| 9. Presets 5/6 | |
| 10. Select / Scroll / Volume +
Volume - | |



Getting Started

Installation:

Please read the manual thoroughly before operating the device.

Choose a suitable location for the device. Suitable locations are dry, even and anti-slip surfaces on which you may operate the device easily.

Make sure there is proper ventilation for the device!

If necessary, remove the protective plastic sheet from the display.

Power supply (Adapter):

Insert the mains adaptor plug into a properly installed AC socket. Connect the device with the plug connector by inserting the plug into the 5V/100mA USB charging port of the device. Make sure the grid voltage corresponds to the figures on the rating plate.

CAUTION

Only use the supplied power adapter for this device.
Do not use for other devices.

Only use the original AC adapter. This adapter has been specially designed for the built-in battery in order to gradually charge the battery. Any other adapter can shorten the battery life or can damage it or the device.

NOTE:

Disconnect from mains power supply during longer periods of non-use.

Battery Operation

1. Remove the battery cover on the rear of the unit.
2. Install 4 x DC1.5V "AA" (UM-3) batteries (not included) according to the polarity diagram inside the battery compartment.
3. Replace the battery cover.
4. **IMPORTANT:** Be sure that the batteries are installed correctly.

Wrong polarity may damage the unit and void the warranty.

For best performance and longer operating time, we recommend the use of good quality alkaline-type batteries.

CAUTION

1. Do not mix old and new batteries.
2. Do not mix alkaline, standard (carbon-zinc) or rechargeable (nickel-cadmium) batteries.
3. If the unit is not to be used for an extended period of time, remove the battery. Old or leaking battery can cause damage to the unit and may void the warranty.
4. Do not dispose of batteries in fire, batteries may explode or leak.

BATTERY REPLACEMENT

When the output sound of this unit becomes distorted or the CD player operation appears unstable, the batteries are weak. You need to replace all the exhausted batteries at the same time as soon as possible to avoid battery leakage.

Operating your radio

1. Carefully extend the telescopic aerial.
2. Press the **POWER** button to switch on your radio. The display will show "Welcome to digital radio".
3. If this is the first time the unit goes into DAB Mode, it will automatically start an 'Auto Scan' to search for available stations.

(Once DAB Mode has been used before, the radio will automatically select the previously played station).

4. Press and hold **SELECT** at any time and automatically start an auto scan. During the scanning process, the lower line of the display shows a bar-graph indicating progress of the scan.
5. When the scanning has completed, the first station (in alphanumeric order) will be selected. The clock will automatically set to the current time.
6. If the station list is still empty after the scan your radio will display "Service not available".
7. If no stations are found, please ensure the aerial is extended and test the reception by doing another auto scan in a different location.

Selecting a station – DAB

1. The top line of the display shows the name of the station currently selected.
2. Push the **TUN-/TUN+** button to select the list of available stations on the lower line of the display, and push the **SELECT** button to confirm the desired station.

Finding new radio stations - DAB

Over time new stations may become available. To find new stations you can auto scan as follows.

1. Press and hold **SELECT** at any time to perform a full scan and auto store stations.
2. You can also find the auto scan function in the menu by pressing **MENU** and **TUN+/TUN-** to choose Full Scan in the menu options.

Manual Tuning – DAB

Manual tuning allows you to tune display to the various DAB Band III channels.

1. Press and hold **MENU**, and press **TUN-/TUN+** until the display show "Manual tune", press **SELECT** to enter the Services Menu.
2. Press **TUN-/TUN+** to highlight the desired channel.
3. Press **SELECT**, the graph will indicate the signal strength, and the upper line will show the name of the DAB multiplex (group of radio stations). Any stations found will be added to the stored list in the radio.
4. Press **MENU** to return to the normal tuning mode.

Auto Search Tuning - FM

1. Carefully extend the telescopic aerial fully and press the **POWER** button to switch on your radio.
2. Press **MODE** to enter FM mode.
3. Press the **SELECT** button, your radio will scan and stop automatically when it finds a station of sufficient strength.
4. After a few seconds the display will update. The display will show the frequency of the signal found.

Presetting Stations - FM & DAB

You may store your preferred DAB and FM radio stations to the preset station memories. There are 60 memory presets in your radio, 30 for DAB and 30 for FM. Presets are remembered by your radio in the event of a power failure. The procedure for setting presets and using them to tune stations is the same for FM and DAB modes:

1. Press **POWER** button to switch on the radio.
2. Tune to the required station as previously described.
3. Press **PRESET** button and hold to enter preset store, and then press **SELECT** the desired preset number which you wish to store the station. Press **SELECT** to confirm.
4. For example, "Preset 01 stored". The station will be stored under the chosen preset. Repeat this procedure as needed.
5. Stations which have been stored in preset memory may be overwritten by following the above steps.

Bluetooth

Bluetooth allows you to stream your music wirelessly from any Bluetooth-enabled media player, including smartphones, tablets, laptops and other MP3 Players.

To pair your device via Bluetooth for the 1st time:

1. Press **MODE** button to select Bluetooth mode.
2. After a few seconds the screen will then say **"BT SEARCHING"** and the speaker automatically goes into pairing mode.
3. On your Bluetooth Device do a search and once available please select **"Azatom Aspire"**
4. After 5-20 seconds the screen will say **"BT connected"**
5. You are ready to start streaming via Bluetooth. Play any sound on your Bluetooth device and listen on the speaker.

Whenever the Bluetooth Mode is selected, the radio will automatically go into pairing mode and either pair with the last paired device (if in range) or be available for pairing to a new device.

Sleep Function

Your radio can be set to turn off after a preset time has elapsed. The sleep setting can be adjusted between 15 and 90 minutes. Ensure your radio is switched on.

Press **MENU** and **TUN-/TUN+** to set the desired sleep time between 15, 30, 45, 60 and 90 minutes or Sleep Off which will cancel the sleep function. Then press **SELECT** to confirm.

Backlight Setting

1. Press **MENU** to enter the setting menu.
2. Press **TUN-/TUN+** until "System" is highlighted on the display, press **SELECT** to enter.
3. Press **TUN-/TUN+** until "backlight", press **SELECT** to enter.
4. Press **TUN-/TUN+** to select "Timeout" to set the time 10, 20, 30, 45, 60, 75, 90, 120, 180 or 300 seconds, the LCD would dim 1/2 after the setting time or select "on level" is highlighted, the backlight would dim.

Time/Date Setting

1. Press **MENU** to enter the settings menu.
2. Press **TUN-/TUN+** until "System", press **SELECT** to enter.
3. Press **TUN-/TUN+** until "Time", press **SELECT** to enter. Or **TUN-/TUN+** to set the time Auto update, 12/24 hours, and date format as well.
4. Press **TUN-/TUN+** and **SELECT** to set the correct time and date.

Alarm Setting

NOTE: PLEASE SELECT A RADIO STATION BEFORE SETTING THE ALARM.

You will be given the option to choose from last station used or one of your favourite preset channels.

1. Press **MENU** and **TUN-/TUN+** to enter the **ALARM** setting menu.
2. Press **TUN-/TUN+** to set the alarm time and press **SELECT** to confirm.
3. Press **TUN-/TUN+** to set the Alarm option:
 - Wake up time
 - Duration
 - Source
 - volume
 - Frequency
 - ON or OFF

Press **SELECT** to confirm the alarm option.

Snooze - Stop Alarm

1. When the alarm sounds, pressing the **SELECT** button will temporarily silence the alarm, you can choose the time from 5, 10, 15, 20, 25, 30 minutes and snooze off.
2. The snooze function also has a countdown allowing you to see how long before the alarm re-sounds.
3. When you choose **SNOOZE OFF**, the radio returns to standby mode, showing the time and date. Press **POWER** to turn it on.

Stop Alarm

When the alarm is sounding you can press **POWER** one time to stop the alarm sound. The radio will then return to Standby mode.

AUX-IN

Aux-in mode plays audio from an external source such as a smart phone or tablet.

1. Plug on end of 3.5mm audio cable (excluded) into the headphone or line out jack on your player, plug the other end of cable into the unit AUX-IN jack on the back of the unit.
2. Turn on the external audio source and play your device.
3. Press **MODE** button to "Auxiliary Input" mode.
4. The volume level can be now controlled through the main unit. Operate all other functions on the external device as usual.

Notes:

If you're connected to the Line out Jack of your external device, then you only need to adjust the volume control of this unit. If you're connected to the Headphone Jack of your external device, then you may need to adjust both the volume control of your external device and the volume control of this unit to find the most desirable volume setting.

Please ensure the cable is disconnected to listen to the radio in other modes such as DAB and FM.

Earphones (NOT INCLUDED)

The lead connecting the earphones to your radio acts as an aerial when plugged into the Earphone socket.

1. Plug the earphones into the Earphone socket on the side of your radio.
2. Check that the Volume level is not too loud before placing the ear-pieces into your ears.

IMPORTANT: Do not switch on the radio with the earphones connected and inserted in your ear. Excessive sound pressure from earphones can cause hearing loss.

FM Stereo/Mono

If a station being received is weak some hiss may be audible (especially when listening using earphones).

1. Press **MENU** button and **TUN-/TUN+** to choose audio setting, press **SELECT** to enter this function.
2. Press **TUN-/TUN+** until "**Forced mono**" is highlighted. Press **SELECT** to select mono. Your radio will select the mono audio mode.

Technical Specifications

Power requirement mains: AC 100-240V 50/60Hz DC 5V 1000mA

Battery: AA X 4 batteries (1.5V X 4) (UM-3)(not included).

Frequency Coverage:

FM: 87.5-108MHz

DAB: 174.928 - 239.200MHz

Circuit Features:

Loudspeaker: 3.0 inch Driver

Earphone socket: 3.5mm dia. stereo

Aerial system: Telescopic Aerial

Factory reset

If your radio fails to operate correctly, or some digits on the display are missing or incomplete, it may be possible to restore normal operation by carrying out a system reset operation on your radio. This will restore the radio's settings to their factory defaults. No presets will be stored, and the list of DAB radio stations will be empty.

If you have moved to a different part of the country and you wish to erase local DAB radio stations that are no longer available from the stored list, then you may carry out this procedure. Your radio will automatically re-scan for the DAB stations available at your current location when it restarts.

1- Press **MENU** to enter the settings.

2- Press **TUN-/TUN+** until the display shows "System", then press **SELECT** to enter the settings menu.

3- Press **TUN-/TUN+** until the display shows "Factory Reset". Press the **SELECT**.

4- If you wish to perform the reset operation, push the **TUN-/TUN+** until "YES" is highlighted on the display and press. A full reset of your radio will be performed, All presets and station lists will be erased.

If you do not wish to reset your radio press **TUN-/TUN+** until "NO" is highlighted. Your radio will return to the previous menu.

5- After a system reset a scan of the DAB band will be performed.

In case of malfunction due to electrostatic discharge, reset the product (temporary disconnection of the power adaptor may be required) to resume normal operation.



@AZATOM

**REGISTER YOUR PRODUCT ONLINE. TO LEARN MORE
& REGISTER FOR OUR AZATOM WARRANTY* PLEASE
VISIT: WWW.AZATOM.COM/WARRANTY**

AZATOM® 2020 ALL RIGHTS RESERVED. AZATOM® IS PART OF AZATOM GROUP LIMITED.
SEE SITE FOR SAFETY INFORMATION. AZATOM® RESERVE THE RIGHT TO WITHDRAW ANY AND ALL
PROMOTIONS WITHOUT NOTICE. FOR FULL WARRANTY, EXTENDED WARRANTY AND PROMOTIONAL
OFFER TERMS & CONDITIONS PLEASE VISIT WWW.AZATOM.COM/TERMS-CONDITIONS

*REGISTRATION REQUIRED