

AZATOM®

Pro Sports S2

DAB, DAB+, FM Retro Radio with Speaker



BEST OF BRITISH
& EUROPEAN



Audio &
Electronics

User Manual

This manual is available to download online at
www.azatom.com

What's in the box:

- Pro Sports S2 Personal DAB Radio
- User Manual
- USB Power Cable
- Earphones
- Warranty Card
(Registration required)
www.azatom.com/warranty)

Aerial

IMPORTANT NOTICE:

Please make sure the Antenna is fully extended or Earphones are attached before you do a station scan.

Contents

	Page
Controls & Interface	6
Using the Pro Sports S2 DAB Personal Radio	8
Power Supply / Key Lock Function / Display Icons	8
DAB	
Operating your radio - DAB.....	10
Selecting a station / Secondary Services.....	12
Info/Display modes DAB.....	14
Finding New Radio Stations.....	16
Sleep.....	17
Full Scan Function.....	18
Manual Tuning DAB.....	18

Page**FM**

Operating your radio - FM..... 20

Manual Tuning..... 20

Info/Display modes FM..... 21

Presetting Stations..... 22

Recalling a Preset..... 23

Time/Date Setting..... 24

Earphones..... 25

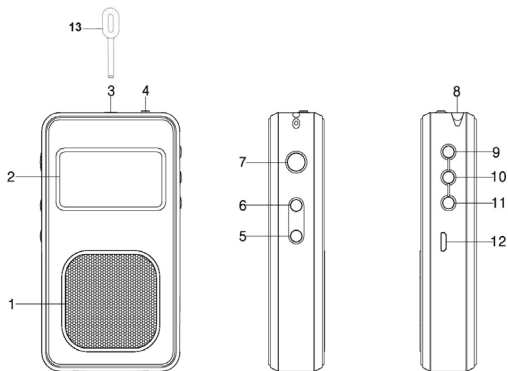
Backlight..... 26

Factory Reset..... 27

Technical Specifications 28

Important Safety Information 29

Controls & Interface

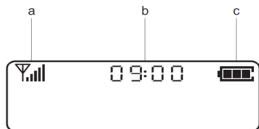


1. **LOUDSPEAKER**
2. **LCD DISPLAY**
3. **EARPHONE SOCKET / RESET**
4. **LOCK SWITCH**
5. **VOLUME -** (PRESS ONCE)
6. **VOLUME +** (PRESS ONCE)
MENU (PRESS AND HOLD)
7. **ON/OFF** (PRESS AND HOLD)
MODE (PRESS ONCE)
8. **AERIAL**
9. **CH+** (PRESS ONCE)
PRESET STORE (PRESS AND HOLD)
10. **ENTER** (PRESS ONCE)
SCAN (PRESS AND HOLD)
11. **CH-** (PRESS ONCE)
PRESET RECALL (PRESS AND HOLD)
12. **USB TYPE-C CHARGING PORT**
13. **RESET PIN / RESET TOOL**

Using the Pro Sports S2

Display Icons:

- A. Signal strength indicator
- B. Time in 24h format
- C. Battery level / Charge indicator



Power Supply

(USB Cable only)-(3pin wall socket not supplied).

Connect the USB Type-C charging cable to the the S2.

Connect the other end of cable USB 2.0 to PC or mobile phone charging plug with same USB type.

Key-lock function:

The Key-lock function is used to prevent unintentional operation of your radio.

- 1.** Set the Lock switch located on the top of your radio to the “*Lock*” position. If the radio is switched on, “*Key locked*” will appear on the display. The **ON/OFF** and all other buttons will be disabled.
- 2.** To release the Lock switch, move the lock switch to the “*Unlock*” position.

Operating your radio - DAB:

- 1.** Make sure the Aerial is extended or Earphones are attached for better signal/reception.
- 2.** Press and hold the **ON/OFF** button until the radio switches on. The display show "**Azatom Digital radio**"
- 3.** Press **MODE** button to select DAB mode.
- 4.** If this is the first time the radio is used, a quick scan of DAB channels will be performed. If the radio has been used before the last used station will be selected.

5. Press and hold **“SCAN”** for autoscan. During the scanning process, the lower line of the display shows a bar-graph indicating progress of the scan.

6. When the scanning is completed the first station (in numeric-alpha order 0-9, A-Z) will be selected. Your radio will automatically set to the current time.

7. If the station list is still empty after the scan your radio will display **“Service not available”**.

8. If no signals are found it may be necessary to relocate your radio to a position giving better reception.

Selecting a station - DAB:

1. The top line of the display shows the name of the station currently selected.

2. Press the **CH+ / CH-** buttons to select from the list of available stations shown on the lower line of the display. Press **ENTER** button to play that station.

Note: If after selecting a station the display shows “**service not available**” it may be necessary to relocate your radio to a position giving better reception.

Secondary services - DAB

Certain radio stations have one or more secondary services associated with them. If a radio station has a secondary service associated with it the display will show “→→” next to the station name on the station list. The secondary service will then appear immediately after the primary services as you press the **CH+/ CH-** buttons and selecting the highlighted secondary service.

Info/Display modes - DAB:

Your radio has a range of INFO modes, which can be set to show on the display.

Press and hold **MENU** button to show "**Station Info**". Go through each modes A to H below.

Press **ENTER** if you want set them to show on display.

A. **Scrolling text:** Displays scrolling text messages such as artist/track name.

B. **Program Type:** Displays station type, example: Pop, Classic, News etc.

C. **Multiplex Name:** Displays the name of DAB multiplex to which the current station belongs.

- D. **Time:** Displays the current time.
- E. **Date:** Displays the current date.
- F. **Frequency:** Displays frequency of the DAB multiplex.
- G. **Bit rate & audio type:** Displays the digital bit rate & audio type.
- H. **Signal strength:** Displays a graph showing the signal strength.

Finding new radio stations - DAB:

To update and add new available stations follow these steps:

Press and hold **SCAN** button for auto scan to start. The display will show *“Scanning...”* and your radio will perform a scan of DAB channels. As radio stations are found the station counter on the right-hand side of the display will increase and the radio stations will be added to the list stored in the radio.

Sleep function:

Your radio can be set to turn off after a preset time between 15 and 90 minutes. Ensure the radio is on.

1. Press and hold **MENU** button until to enter the menu.
2. Press **CH+ or CH-** until **“Settings”** is on the display. Press **ENTER**.
3. Press **CH+ or CH-** until **“Set Sleep time”** is highlighted on the display. Press **ENTER**.
4. Press **CH+ or CH-** to set sleep time of 15, 30, 45, 60, and 90 minutes or Off which cancels the sleep function.
5. Press **ENTER** to confirm the setting. The sleep timer indicator **“S”** will show on the display.

Full Scan function - DAB:

1. Press and hold the **MENU** button until "**Station Info**" appears.
2. Press **CH+ / CH-** until "**Full Scan**" is highlighted and select that option
3. Press **ENTER** to confirm. Scanning will start. All DAB & DAB+ available will be saved in memory.

Manual Tuning - DAB:

Manual tuning allows you to tune your radio to a particular DAB Frequency Band III. Any new stations found will be added to the station list.

1. When in DAB mode press **MENU** until the display shows "**Station Info**".

2. Press **CH+ / CH-** buttons until the display shows "**Manual Tune**". Press **ENTER** to select this function.

3. Press **CH+ / CH-** to highlight the desired Frequency/channel. Press **ENTER**.

The display will show a graph which will indicate the signal strength, and the upper line will show the name of the DAB multiplex (*group of radio stations*). Any stations found will be added to the stored list in the radio.

4. Press and hold **MENU** button to return to main menu.

5. Press and hold **MENU** button a second time to return to DAB radio.

Operating your radio - Manual tuning - FM:

1. Make sure the Aerial is extended or the Earphones are attached for better signal/reception.
2. Press and hold the **ON/OFF** button until the radio switches on.
3. Short press **MODE** button to enter "**FM**" mode.
4. Short press **CH+/CH-** buttons to tune to a station. With each press the frequency will change up or down by 50 kHz.

Info / Display modes - FM:

In FM mode the display shows information to that station. It can be set to any of the below options.

Press and hold **MENU** to enter the “*Station Info*” and cycle through each mode.

A. **Scrolling text:** Displays text such as artist/track name.

B. **Program Type:** Displays the type of station. e.g. Pop, Classic, News

C. **Audio mode:** Displays shows stereo or Mono.

D. **Time:** Displays the current time.

E. **Date:** Displays the current date.

Note: Your radio will display “NO Radio Text” on the lower line of the display if there text available.

Preset Stations:

You can store your preferred DAB and FM stations to memory. There are **40 for DAB** and **40 for FM**.

1. Select the mode. **DAB** or **FM**.
2. Tune to the station you want to preset and press **ENTER** to play it.
3. Press and hold **PS** button until **"Preset Store"** shows on display.
4. Press the **CH+** or **CH-** to choose which preset number you want to save the station in.
5. Press **ENTER** to confirm. The display shows **"Preset 01 Stored"**. Repeat this procedure as needed for the different preset numbers.

Note: The station must be playing before you can save the station in Preset stored.

Recalling a preset:

1. Select the mode, **DAB** or **FM**.
2. Press and hold the **PR** button until **"Preset Recall"** shows on the display.
3. Press the **CH+** or **CH-** to choose which preset station you want to play.
4. Press **ENTER** to select and play that station.

Note: If you have not previously stored a preset station and the preset button is pressed "Empty preset" will be displayed.

Time/Date Setting:

When there is no DAB signal, you will need to set the **TIME** and **DATE** manually.

1. Press and hold **MENU** button until it enters the settings menu.
2. Press **CH+** or **CH-** until "**Settings**" displays, press **ENTER**.
3. Press **CH+** or **CH-** until "**Set Time/Date**" displays, press **ENTER**.
4. Use the **CH+** or **CH-** to set the correct Time/Date and press **ENTER** confirm.

Earphones:

Whilst the earphones are connected to your radio they act as an aerial when the metal antenna is down. The cable should be extended as much as possible to increase reception strength.

1. Plug the earphones into the Earphone socket on the top of your radio.
2. Check that the volume level is not too loud before placing the ear-pieces into your ears.

IMPORTANT: Do not switch on the radio with the earphones connected and inserted in your ear. Excessive sound pressure from earphones can cause hearing loss.

Backlight/Display brightness:

Its possible to set the backlight to dim after a elapsed time. This can save battery life.

1. To set the backlight dimmer, press and hold **MENU** to enter the menu. Press **CH+ / CH-** until **“Settings”** shows on the display. Press **ENTER**.

2. Press **CH+ or CH-** until **“Backlight”** shows on the display. Press **ENTER**.

TIME OUT: Set dimmer time from 10 to 180 seconds or ON. When set to **“ON”** the display will not dim after an elapsed time so the battery playing time will less.

DIM LEVEL: Set the dimmer brightness **“High, Medium or Low”** when TIME OUT has been activated.

ON LEVEL: Set the brightness **“HIGH, MEDIUM or LOW”**

Factory reset:

There are two ways.

A. Use the factory reset tool. Push it into the earphone socket until you feel the button press.

B. Reset via the software menu.

1. Press and hold **MENU** button to enter the menu.

2. Press **CH+** or **CH-** buttons until the display shows "**Settings**". Press **ENTER**.

3. Press **CH+** or **CH-** until the display shows "**Factory Reset**". Press **ENTER**.

4. Press the **CH+** or **CH-** until "**YES**" is highlighted on the display. Press **ENTER**. A reset of your radio will be performed, All presets and station lists will be erased.

5. After a system reset, a scan of the DAB band will be performed.

Technical Specifications

Power mains (via USB C):

100-240V 50/60Hz

DC 5V 500mA

Lithium rechargeable battery:

3.7V, 1800mAH

Battery life full charge:

Up to 15 hrs, loudspeaker at 30% volume.

Up to 24 hrs, earphones at 30% volume.

Frequency Coverage:

FM: 87.5-108MHz

DAB: 174.928 - 239.200MHz

Output power: 150mW

Earphone socket: 3.5mm dia. Stereo

Aerial system: FM: Antenna or Earphones

DAB: Antenna or Earphones

Important Safety Information

1. Follow all instructions.
2. Do not clean the apparatus near or with water.
3. Clean only with a dry cloth.
4. Do not block any ventilation openings. Install in accordance with the manufacturer's instructions.
5. Do not put near any heat sources such as radiators.
6. Protect the power cord from being walked or pulled.
7. Only use accessories specified by the manufacturer.
8. Unplug this apparatus when unused for long periods of time.
9. Refer all servicing to qualified service personnel.
10. Dispose of used electrical products safely according to your local authority.

RECYCLING ELECTRICAL PRODUCTS

You should now recycle your waste electrical goods. In doing so helps the environment.



This symbol means an electrical product should not be disposed of with normal household waste. Please ensure it is taken to a suitable facility for disposal when finished with.

IMPORTANT: Please read all instructions carefully before use and keep for future reference



● Risk of electric shock.
Do not open



● Read all instructions carefully before use and keep for future reference.



● When servicing, use only identical replacement parts.

**FOR OUR AZATOM WARRANTY*
PLEASE VISIT:
WWW.AZATOM.COM/WARRANTY**

**AZATOM® 2021 ALL RIGHTS RESERVED.
AZATOM® IS PART OF AZATOM GROUP
LIMITED.**

**SEE SITE FOR SAFETY INFORMATION.
AZATOM® RESERVE THE RIGHT TO
WITHDRAW ANY AND ALL
PROMOTIONS WITHOUT NOTICE. FOR
FULL WARRANTY, EXTENDED
WARRANTY AND PROMOTIONAL OFFER
TERMS & CONDITIONS PLEASE VISIT
WWW.AZATOM.COM/TERMS
CONDITIONS**

***REGISTRATION REQUIRED**



@AZATOM