


公差等级	尺寸分段						
	>0.5-3	>3-6	>6-30	>30-120	>120-400	>400-1000	>1000-2000
F(精密级)	±0.05	±0.05	±0.1	±0.15	±0.2	±0.3	±0.5
M(中等级)	±0.1	±0.1	±0.2	±0.3	±0.5	±0.8	±1.2
C(粗糙级)	±0.2	±0.3	±0.5	±0.8	±1.2	±2	±3

86.7mm
433.6MM

160mm

E2000
3 in 1 Magnetic Wireless Charger
USER MANUAL



AZATOM
NEXT GENERATION SOUND

Introduction

Thank You for purchasing the E2000 3 in 1 Wireless Charger. To make the most of its features, we suggest reading the user manual thoroughly, which includes hints and tips to assist in resolving any problems. Please go through all the safety guidelines before using it and keep this manual for future reference.

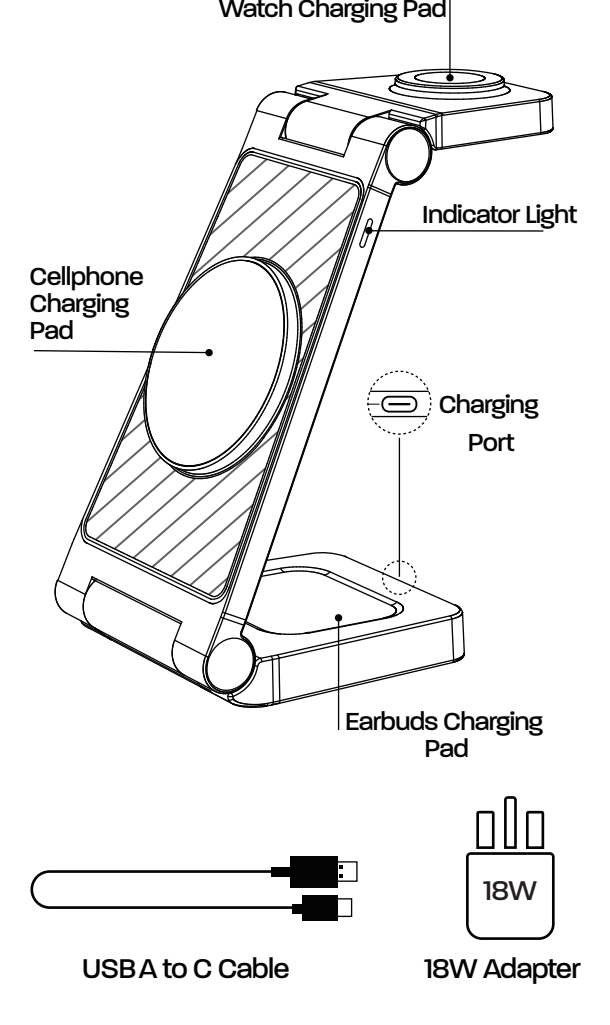
Package Contents

E1000 Wireless Charger
USB 9V/2A Plug
USB-A to USB-C Charging Cable
User Manual

Specifications

Model: E2000
Input: 5V / 3A 9V/2A
Output:
Up to 3W for iWatch
Up to 5W for Earbuds
Up to 10W for Mobile Phones

Interface



Using the E2000

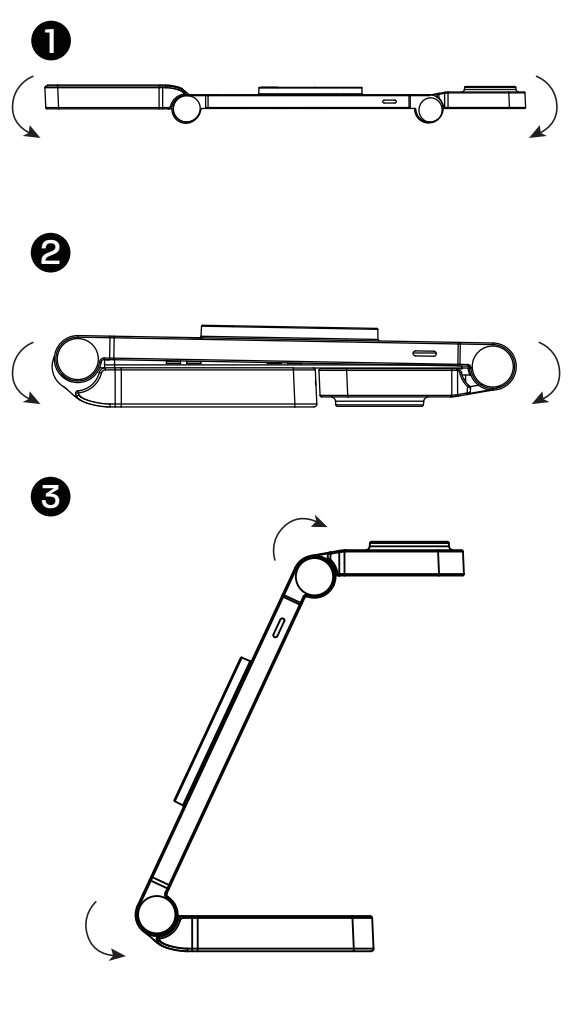
- Take the charging cable and connect the USB Type C to the E2000 Wireless Charger.
- Connect the Type A end to the 9V/2A power adapter and plug into the wall mains.
- Place your phone on the charging pad.
- Place your Apple Watch on magnetic charging pad.
- Place your wireless charging earbuds on the earphone areas.

Indicator Light

Standby Mode	Charging Mode	Charging Error
No Light	Solid Blue Light	Flashing Blue Light

Note: When your devices are fully charged the E2000 will go into standby mode.

Folding Method



Compatible Devices

- Mobile Phone
 - Apple iPhone: iPhone 15/Pro/Max - iPhone 14 /Plus/Pro/Max - iPhone 13/Mini/Pro/Max - iPhone 12/Mini /Pro/Max - iPhone 11/Pro/Max - iPhone XS/Max - iPhone XR/Max - iPhone 8/Plus. (Compatible with official MagSafe cases)
- Smart Watch
 - Apple iWatch 2/3/4/5/6/SE/7/SE2/ Ultra/8
- TWS Bluetooth Earphones
 - AirPods 2 - AirPods 3 - AirPods Pro - AirPods Pro 2

Warnings

- Avoid forcefully pulling the power cord to prevent damage or detachment.
- Do not disassemble the product, expose it to fire or water, as it may cause short circuits and leakage.
- Use the product in suitable environments, avoiding extreme temperatures, humidity, or corrosive conditions to prevent circuit damage and electric leakage.
- Maintain a minimum distance of 50cm between the product and pacemakers during use.
- Only use wireless receivers that adhere to the Qi standard for connecting with the transmitting terminal.
- Operate the charger within a temperature range of 30°C-32°C.
- Keep magnetic cards, magnetic recording media, and precision machinery away from the charger.
- Ensure the product is out of reach of children.

FAQ





- If you're experiencing interrupted or slow charging, check the following:
 - Remove any metal objects, pop sockets, or credit cards from the back of your phone. Ensure that your phone case is no thicker than 4 mm.
- The charger does not work
 - Do not place metal objects or cards on the charging area. If the product overheats, remove all devices and allow it to cool before attempting to charge again. If the issue persists, contact Customer Service.
- Will the wireless charging station damage the phone battery?
 - The E2000 offers secure and efficient charging. It includes over-current protection and temperature control, stopping charging if the phone exceeds 105°F/40°C. It enters a low-power state when the phone is fully charged to protect the battery.

4. The E2000's light indicator has a flashing blue light. Follow these troubleshooting steps:

- Check if your device supports the wireless charging.
- Checking if there is anything on the charging pads hindering charging.
- Make sure you are using the Original Type - C charger that came with the device.
- Contact customer support.

Customer Service

Email: customersupport@azatom.com
Phone Number: 01740 629 901
Monday - Friday: 9:00AM - 17:00PM
Saturday: 10:00AM - 14:00 PM

This manual is available to download online at www.azatom.com.
AZATOM AND ALL RIGHTS RESERVED. AZATOM IS PART OF AZATOM GROUP LIMITED.
WE ARE IN SUPPORT OF SUSTAINABLE DEVELOPMENT AND ARE COMMITTED TO REDUCING OUR CARBON FOOTPRINT AND ALL PRODUCTION WITHOUT NOTICE FOR FULL WARRANTY EXTENDED WARRANTY AND PROMOTIONAL OFFER TERMS & CONDITIONS PLEASE VISIT WWW.AZATOM.COM

技术要求:

展开尺寸:867.3*160mm (长*宽)

折后尺寸:86.7*186mm

材质:128g铜板纸, 公差:±1mm

工艺:单色双面印/风琴折

未标注公差尺寸参考左上角公差范围