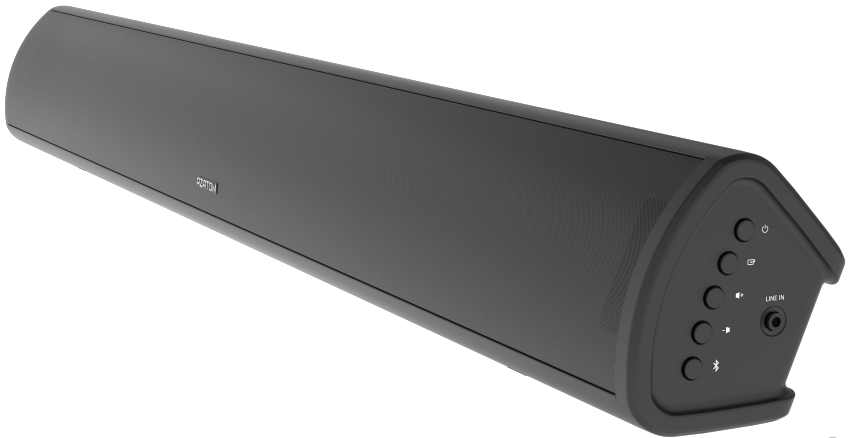


AZATOM[®]

ADVANCING AUDIO TECHNOLOGY

2.1 CH Soundbar Speaker System

MODEL: STUDIO UHD2



Instruction Manual

PLEASE READ BEFORE OPERATING THIS EQUIPMENT.

Important Safety Instructions

- Read these Instructions.
- Keep these Instructions.
- Heed all Warnings.
- Follow all instructions.
- Do not use this apparatus near water.
- Clean only with a dry cloth.
- Do not block any ventilation openings. Install in accordance with the manufacturer's instructions.
- Do not install near any heat sources such as radiators, heat registers, stoves, or other apparatus (including amplifiers) that produce heat.
- Do not defeat the safety purpose of the polarized or grounding - type plug. A polarized plug has two blades with one wider than the other. A grounding type plug has two blades and a third grounding prong. The wide blade or the third prong is provided for your safety. When the provided plug does not fit into your outlet, consult an electrician for replacement of the obsolete outlet.
- Protect the power cord from being walked on or pinched particularly at plugs, convenience receptacles, and the point where they exit from the apparatus.
- Only use attachments/accessories specified by the manufacturer.
- This symbol indicates that this product incorporates double insulation between hazardous mains voltage and user accessible parts. Use only with a cart, stand, tripod, bracket, or table specified by the manufacturer, or sold with the apparatus. When a cart is used, use caution when moving the cart/apparatus combination to avoid injury from tip-over.



- Unplug this apparatus during lightning storms or when unused for long periods of time.
- Refer all servicing to qualified service personnel. Servicing is required when the apparatus has been damaged in any way, such as power-supply cord or plug is damaged, liquid has been spilled or objects have fallen into the apparatus, the apparatus has been exposed to rain or moisture, does not operate normally, or has been dropped.

Special note: When placing your unit on a lacquered or natural finish, protect your furniture with a cloth or other protective material.

Thank you for purchasing the excellent quality sound bar for your home.

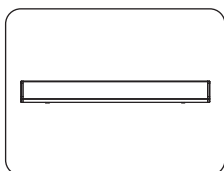
We recommend that you spend some time reading this instruction manual in order that you fully understand all the operational features it offers. You will also find some hints and tips to help you resolve any issues. Read all the safety instructions carefully before use and keep this instruction manual for future reference.

Check the package contents

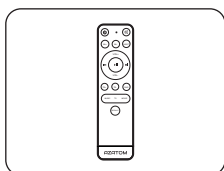
Remove all items from the packing. Retain the packaging. If you dispose of it please do so according to local regulations.

The following items are included:

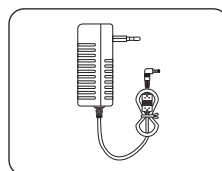
1. Studio Soundbar
2. Remote control
3. Mains adapter
4. OPTICAL cable
5. Instruction manual
6. Wall-mounted brackets
7. Dowels & Screws



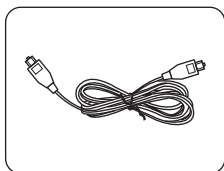
Studio Soundbar



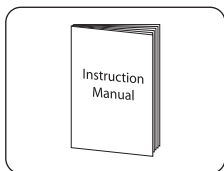
Remote control



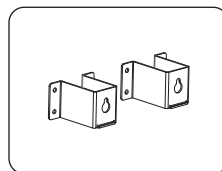
Mains power adapter



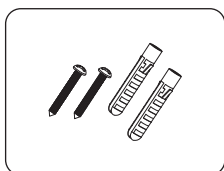
OPTICAL cable



Instruction manual

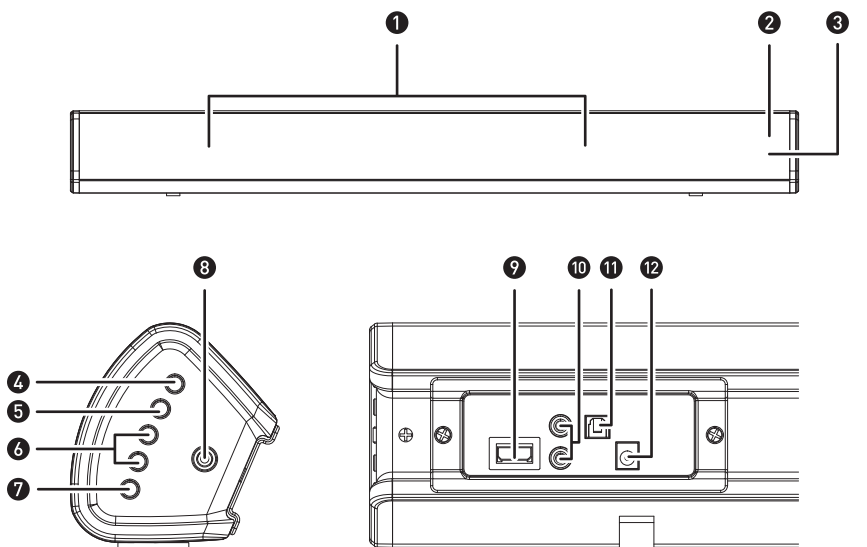


Wall-mounted brackets



Wall Plugs & Screws

Product description

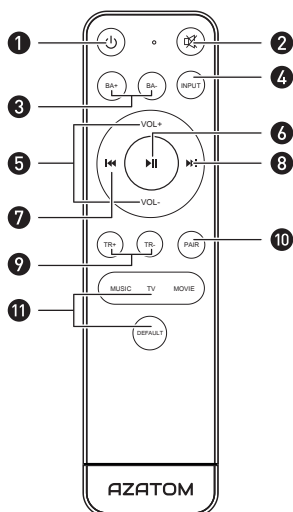


- | | |
|---|---|
| <ol style="list-style-type: none"> 1. Speaker drivers 2. LED indicator light 3. The remote control sensor 4. Switch the unit on or off 5. Select a input:
---- BT, Optical in, Aux in, Line in, HDMI(ARC). 6. Volume + and -:
---- Press to adjust the volume up or down. | <ol style="list-style-type: none"> 7. Bluetooth pair button 8. 3.5mm line in socket 9. HDMI(ARC) socket 10. AUX (RCA L/R) socket 11. OPTICAL IN socket 12. DC (20V 1.2A) socket |
|---|---|

Indicator lights

STATE	INDICATOR LIGHTS
Power off	Red
Optical mode	Yellow
HDMI(ARC) mode	Pink
Line in mode	Green
AUX mode	White
Bluetooth ready	Flashing blue
Bluetooth connected	Blue

Remote control (batteries installation)



1. **⏻ button** ---- Press the unit between On and Standby mode.
2. **🔇 button** ---- Press to mute the sound. Press again resume.
3. **BASS+/BASS- buttons** ---- (It can adjust the Bass volume in mode of DEFAULT.)
4. **INPUT button** ---- Select the modes.
5. **VOL +/- buttons** ---- Adjust the volume.
6. **▶/⏸ button** ---- Play/pause/resume playback in Bluetooth mode.
7. **⏮ button** ---- Skip backwards to the beginning of the track or to the previous track in Bluetooth mode.
8. **⏭ button** ---- Skip forwards to the next track in Bluetooth mode.
9. **Treble+/Treble- buttons** ---- (It can adjust the Treble volume in mode of DEFAULT.)
10. **BT PAIR button** ---- Disconnect the bluetooth device.
11. **Music/TV/Movie/VOICE/DEFAULT buttons** ---- Press the button to select a desired music mode: MUSIC, MOVIE, VOICE, DEFAULT.

Product installation

Wall Mounting

Precautions :

◇ Installation must be carried out by qualified personnel only. Incorrect assembly can result in severe personal injury and property damage.

If you are going to install this soundbar yourself, you must have studied installations, such as electrical wiring and plumbing that may be buried inside the wall.

It is installer's responsibility to verify that the wall safely support the total load of the Soundbar.

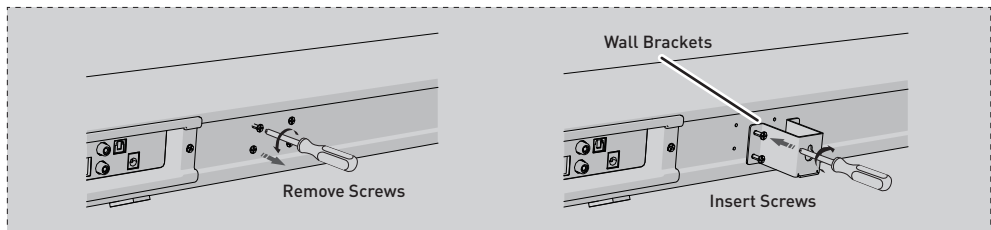
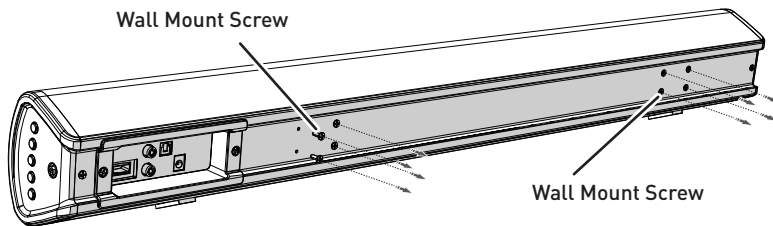
◇ Additional tools (not included) are required for the installation.

◇ Do not overtighten screws.

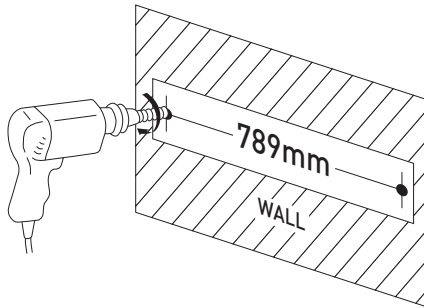
◇ Keep this user manual for future reference.

◇ Use an electric stud finder to check the wall type before drilling and mounting.

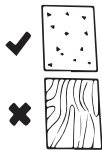
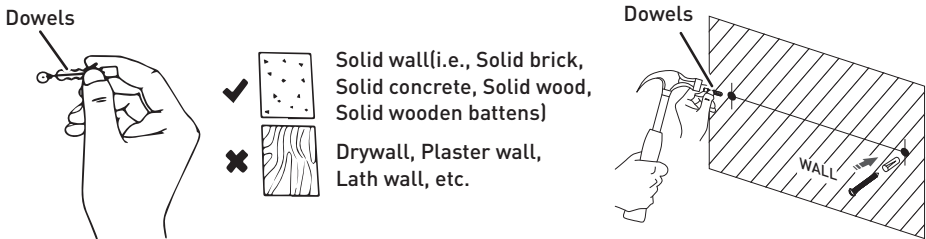
1. Remove four pieces of screws on the rear panel from the Bar. Store the removed screws in a safe place, keeping them away from children. Attach the wall brackets (included) to the Bar with those removed screws and firmly fix them.



2. Drill 2 parallel holes (Ø3-8mm each according to wall type) in the wall. The distance between 2 holes should be 789mm.

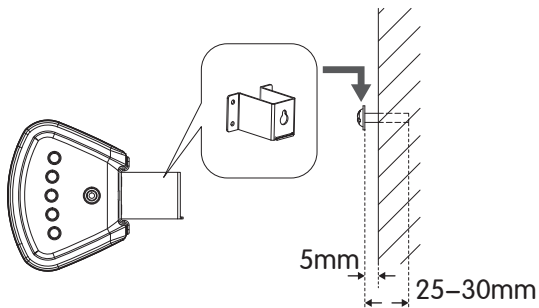


3. Firmly fix a dowel (included) into each hole in the wall if necessary.



Solid wall(i.e., Solid brick, Solid concrete, Solid wood, Solid wooden battens)
Drywall, Plaster wall, Lath wall, etc.

4. Insert a screw (included) into each dowel. Make sure to leave a 5mm gap between the wall and the screw's head. Lift the Bar over the heads of the screws and slot into place.



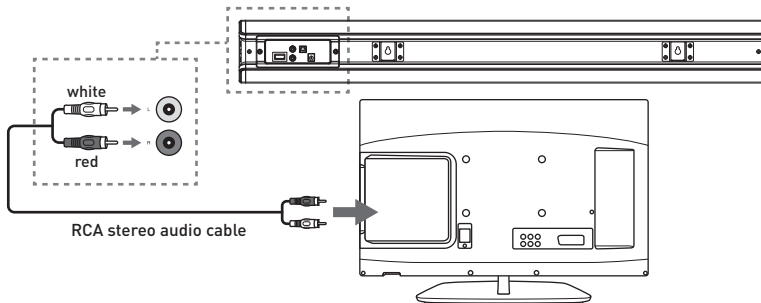
Connections

Using the AUX Connection

Use the RCA Stereo Audio Cable to connect the TV's stereo RCA(L/R). Audio output socket to the AUX(L/R) Sockets of the unit.

Then press the AUX button on the remote control or press the SOURCE button on the unit to choose the AUX function.

Turn on your television set to use the STUDIO UHD2.



Using the MP3 LINK Connection (Line In)

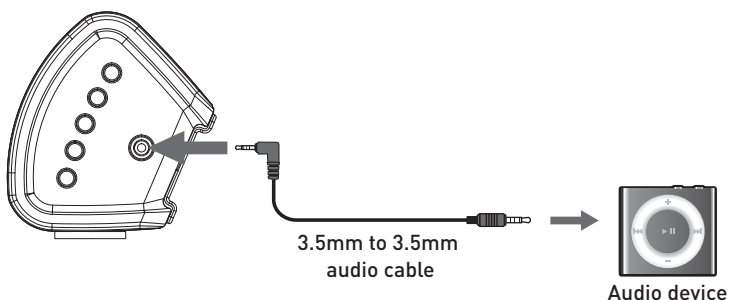
Plug one end of a 3.5mm audio input cable (included) into the Line in on the unit. Before use, disconnect any cables connected to the Stereo RCA Inputs.

Plug the other end of the cable into the audio output/headphone output on an MP3 player or other audio source.

Press the POWER button on side panel or POWER button directly on the remote control to switch on the unit.

One touch the SOURCE button repeatedly or directly press LINE in button on remote control to enter LINE in mode. The mode indicator will turn green.

Audio played through the connected device will now be heard through the speakers.



Using the OPTICAL Connection

You will need: An audio source with an optical audio output and a digital optical audio cable (not included)

Connect the Digital Optical Audio cable to the optical output on the audio source and to the Optical Input on the speaker bar.

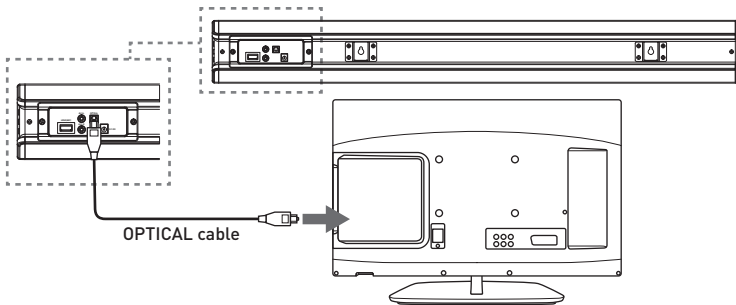
Press the POWER/SOURCE button on side panel or POWER button directly on the remote control to switch on the unit.

Press the OPTICAL button on the remote control to switch to Optical mode or one touch POWER/SOURCE button on main unit repeatedly to select the Optical mode. The mode indicator LED will turn Yellow.

Using the native controls on your connected device, make sure the audio settings are set to PCM or Optical Audio and are turned on.

Audio from the connected audio source will now be played through the speakers.

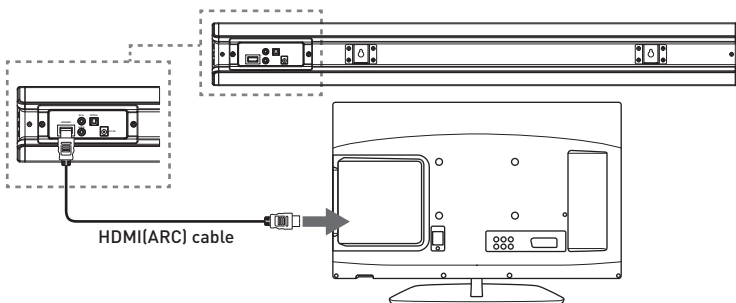
Using the native controls on your connected device, make sure the audio settings are set to PCM or optical audio and are turned on.



Using the HDMI(ARC) Connection (not included)

Connect the HDMI cable (supplied) to the HDMI ARC connector on the back of the unit to the HDMI (ARC) connector on the TV.

NOTE: In the HDMI ARC mode, if your speakers have no audio output and the indicator light is flashing quickly, use your source device (such as a TV, CD player, or cable/satellite receiver). The audio output mode is set to PCM, or turn off the sound source output.



Connecting to the Mains Supply

Ensure that the power supply voltage is in the voltage of 100V~240V.

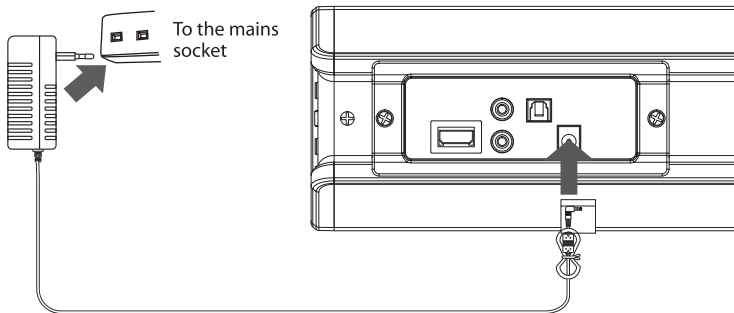
This unit is designed to use adapter.


Connecting the unit to any other power source may cause damage to the unit.

Unwind the mains cable to its full length. Connect the mains plug to a mains socket. Make sure the mains plug is fully inserted into the mains socket.

The mains plug/appliance coupler is used as the disconnect device, the disconnect device must remain readily operable.

Connect the Adapter to the unit and AC Socket.



 Ensure all audio connections of the unit are connected before connecting to the mains power socket. Unplug the power cord from the outlet when the unit is use for an extended period of time.

Bluetooth Operation

Bluetooth Operation

Pairing a Bluetooth Device for the First Time

Press the POWER button on the unit or the POWER button on the remote control to switch on the unit.

Select and press the BT button directly on the remote control or press the SOURCE button repeatedly to enter Bluetooth mode, indicated by a flashing blue light.

Using the native controls on your Bluetooth device, selects the “STUDIO UHD2” in your Bluetooth settings to pair.

If your device requests a password, enters the default “0000”. Refer to the “user manual” for your specific device for instructions on pairing and connecting Bluetooth devices.

When successfully paired and connected, a beep will issue from the unit and the Pairing Indicator will display a solid blue light. After initial pairing, the unit will stay paired unless unpaired manually by the user, or until it is erased due to a reset of the device.

Soundbar has Bluetooth connected to a device, you can press and hold the MUTE/PAIR button 3 seconds to exit this device in order to pair the device with another Bluetooth device.

If your device should become unpaired or you find it is unable to connect, repeat the above steps.

Playing Audio Wirelessly

Follow the instructions for Pairing a Bluetooth Device.

Use the native controls on the connected Bluetooth Device to select a track.

To play, pause or skip the selected track, use the native controls on the connected Bluetooth Device.

Audio played through the connected Bluetooth device will now be heard through the speakers.

Specifications

Amplifier	
Power output	Max power output 180W - (60W RMS)
Frequency response	20Hz - 20KHz \pm 3dB
Input sensitivity	700mV
Main unit	
Power supply	Input: 100-240V ~ 50-60Hz Output: 20V $\overline{\text{---}}$ 1.2A
Standby power consumption	\leq 0.5W
Full range speaker drivers	Impedance: 4 Ohm (3 inches) Frequency response: 180Hz ~ 20KHz
Dimensions	822 x 88.5 x 96mm
Mains cable length	1.5 metre

For technical support or to ask us a question please visit www.azatom.com/contact

AZATOM® is a brand of 4Cool Technology Ltd. © 2018 4Cool Technology Ltd. All rights reserved.
HQ: AZATOM Online, 4 Cool Technology Ltd. Discovery 1, 1 William Armstrong Way, Sedgfield,
Stockton-On-Tees, TS21 3FH, UK